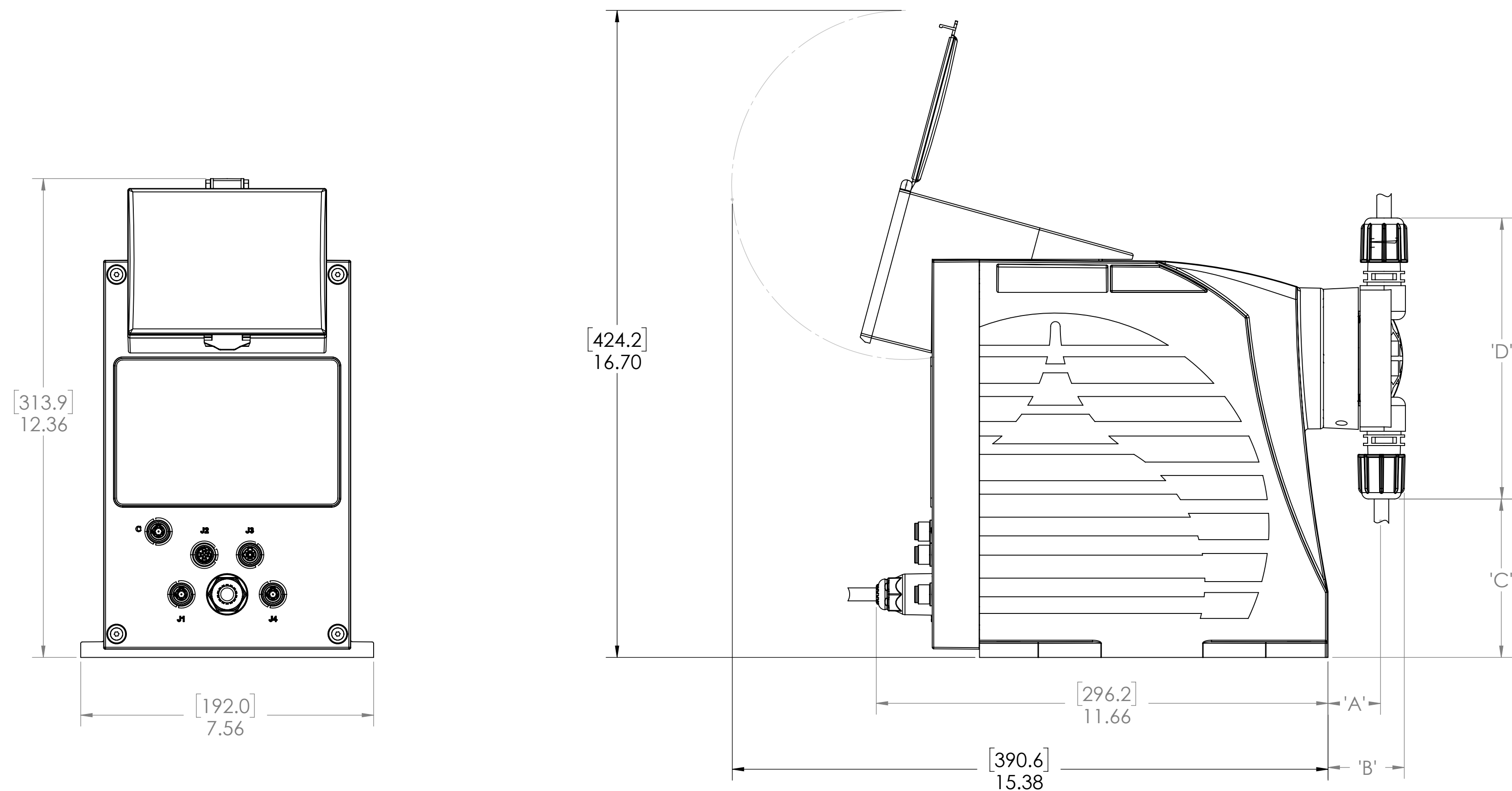
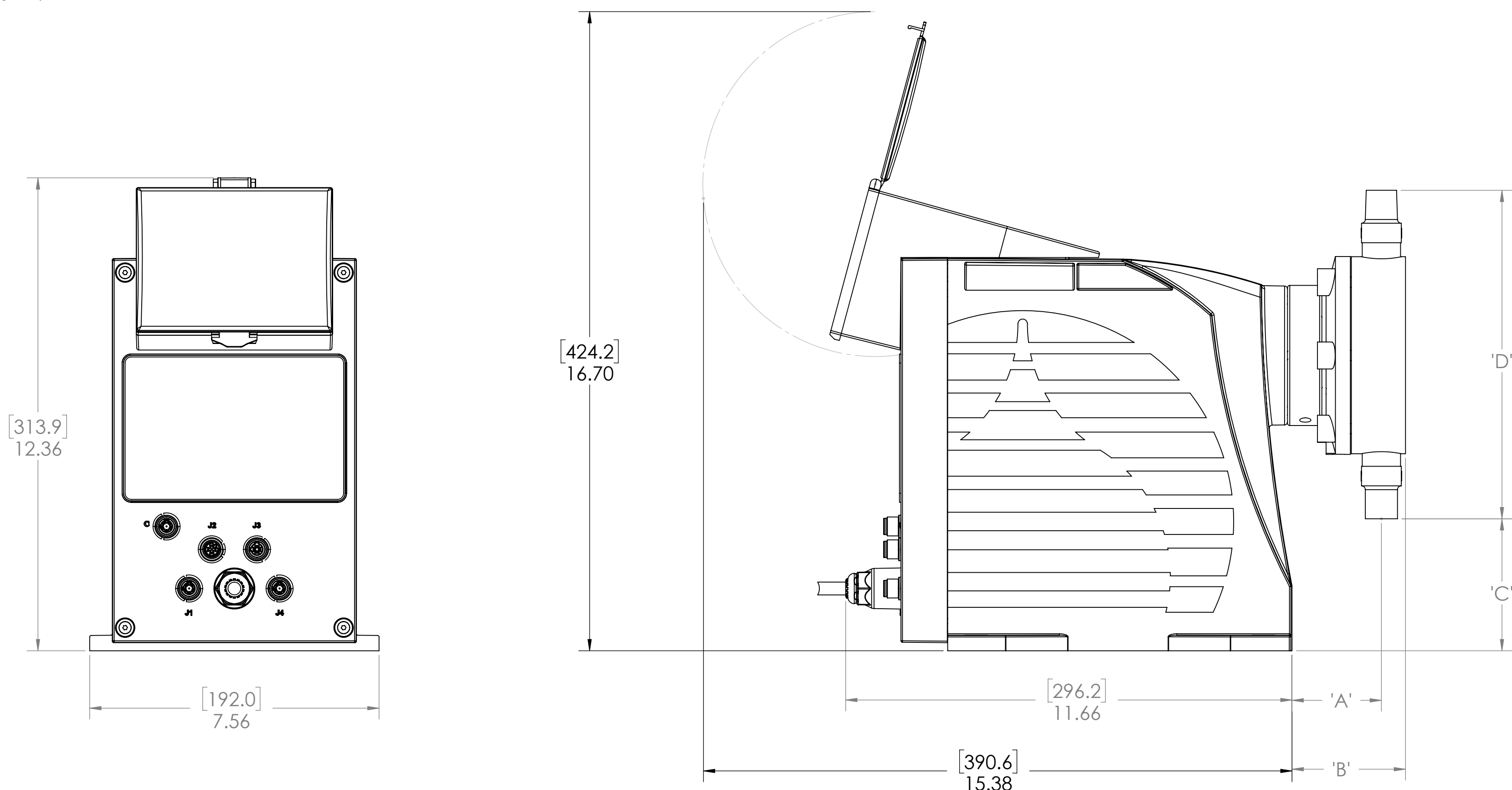


DRIVE SIZES: XRDx2x, XRDx3x

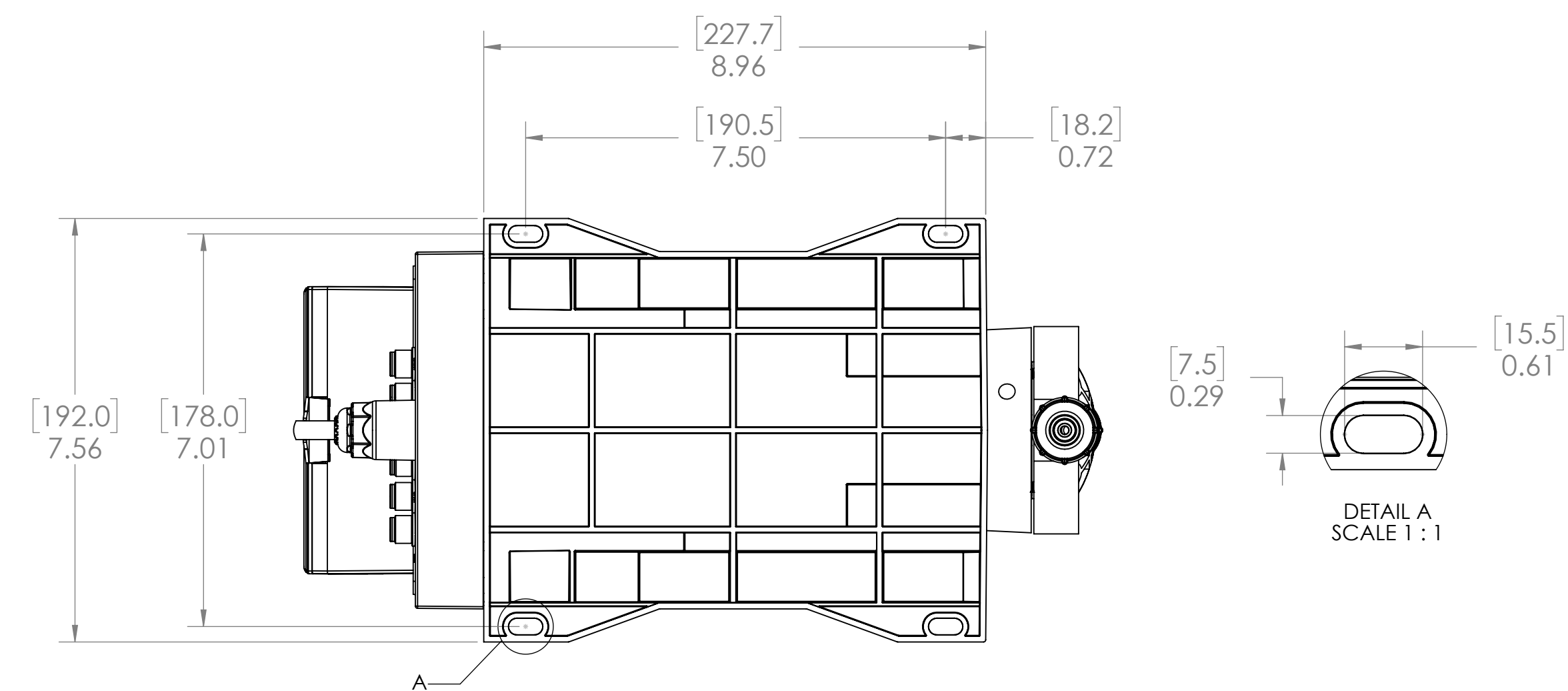


DRIVE	LIQUID END	A		B		C		D	
		INCH	[mm]	INCH	[mm]	INCH	[mm]	INCH	[mm]
XRDx2x XRDx3x	<b>TUBE CONNECTIONS:</b> CODE A44, A74	1.44	36.7	2.03	51.7	4.09	103.9	7.25	184.2
	<b>DN PIPE CONNECTIONS:</b> CODE A44, A74	1.44	36.7	2.00	50.7	2.45	62.2	10.54	267.7
	<b>STAINLESS HEAD AND SLURRY HEAD:</b> CODE A14, S14	1.38	35.0	2.01	51.0	3.70	94.0	8.03	204.0
	<b>HIGH VISCOSITY HEAD:</b> CODE V44	1.61	40.8	2.30	58.3	4.32	109.8	7.63	193.7
XRDx4x	<b>NPT CONNECTIONS:</b> CODE A46, A76	2.33	59.3	2.96	75.3	3.45	87.6	8.58	218.0
	<b>TUBE CONNECTIONS:</b> CODE A46, A76	2.33	59.3	2.96	75.3	2.82	71.6	9.84	250.0
	<b>DN PIPE CONNECTIONS:</b> CODE A46, A76	2.33	59.3	3.13	79.5	2.05	52.1	11.38	289.0
	<b>STAINLESS HEAD AND SLURRY HEAD:</b> CODE A16, S16	2.42	61.4	3.28	83.4	2.98	75.6	9.49	241.0
	<b>HIGH VISCOSITY HEAD (NPT DISCHARGE):</b> CODE V46	2.33	59.3	2.95	74.9	3.73	94.8	8.30	210.8
	<b>HIGH VISCOSITY HEAD (TUBE DISCHARGE):</b> CODE V46	2.33	59.3	2.95	74.9	3.73	94.8	8.93	226.8

DRIVE SIZE: XRDx4x



MOUNTING INFORMATION  
(ALL DRIVE SIZES)



20 APRIL 2016 19738 INITIAL RELEASE PTS PTS 00  
DATE ECN DESCRIPTION UPD BY APR BY REV

REVISION HISTORY

COPYRIGHT © MILTON ROY, LLC. THIS DOCUMENT IS THE PROPERTY OF MILTON ROY (MR). YOU MAY NOT POSSESS, USE, COPY OR DISCLOSE THIS DOCUMENT OR ANY INFORMATION IN IT, FOR ANY PURPOSE, INCLUDING WITHOUT LIMITATION TO DESIGN, MANUFACTURE OR REPAIR PARTS, OR OBTAIN ANY GOVERNMENT APPROVAL TO DO SO, WITHOUT MR'S EXPRESS WRITTEN PERMISSION. NEITHER RECEIPT NOR POSSESSION OF THIS DOCUMENT ALONE, FROM ANY SOURCE, CONSTITUTES SUCH PERMISSION. PERMISSION USE, COPYING OR DISCLOSURE BY ANYONE WITHOUT MR'S EXPRESS WRITTEN PERMISSION IS NOT AUTHORIZED AND MAY RESULT IN CRIMINAL AND/OR CIVIL LIABILITY.

UNLESS OTHERWISE SPECIFIED: DIMENSIONS ARE INCH[mm] INTERPRET DIM AND TOL PER ASME Y14.5-2009

TOLERANCES:  
.XX ± .010 [.254]  
.XXX ± .005 [.127]  
± .5  
FRACTION ± 1/64 [.397]  
FINISH: 125 RMS

THIRD ANGLE PROJECTION

DO NOT SCALE DRAWING

SIZE D

DRAWING NO. 59273

SCALE 7:16 SHEET 1 / 1

REV 00

MILTON ROY, LLC  
www.miltonroy-americas.com  
GENERAL ARRANGEMENT DWG  
EXCEL XR

EAR STATEMENT WARNING - This document or file contains technical data the export of which is, or may be, restricted by the Export Administration Act and the Export Administration Regulations (EAR), 15 C.F.R. parts 730-774. Diversion contrary to U.S. law is prohibited. The export, re-export, transfer or re-transfer of this technical data to any other company, entity, person, or destination, or for any use or purpose other than that for which the technical data was originally provided by Milton Roy, is prohibited without prior written approval from Milton Roy and authorization under applicable export control laws. EAR Export Classification: ECON EAR99.