

When pumping solutions, make certain that all tubing is securely attached to the fittings. It is recommended that tubing or pipe lines be shielded to prevent possible injury in case of rupture or accidental damage. Always wear protective clothing and face shield when working on or near your metering pump.

Note: See parts list for materials of construction

A. INSTALLING INJECTION CHECK VALVE (FIGURE 1)

Note: Not all configurations have an injection valve

1. The Injection Check Valve prevents backflow from a treated line. Install the injection check valve at the location where chemical is being injected into the system.
2. Any size Female NPT fitting or pipe tee with a reducing bushing to 1/2" Female NPT will accept the injection check valve. PTFE tape should only be used on threads that are connected with pipes.
3. When installing the Injection Check Valve, be sure to position it so that the valve enters the bottom of your pipe in a vertical position. Variations 40° left and right are acceptable.

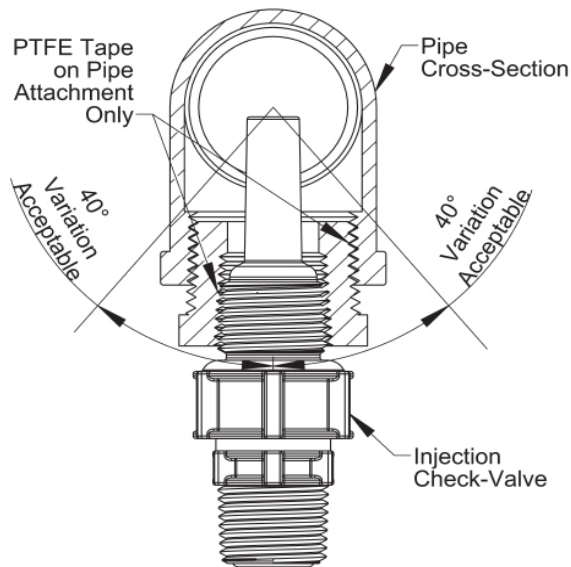


FIGURE 1

B. CONNECTING DISCHARGE TUBING (FIGURE 2)

Note: Cut tubing to length needed for discharge line.

1. Route tubing from the injection check valve to the metering pump, making sure it does not touch hot or sharp surfaces, or is bent so sharply that it kinks.
2. Put coupling nut over tubing.
3. Position female Ferrule about one inch (25 mm) from end of tubing.
4. For 1/4" or 6 mm OD tubing, cut tubing so that 1/4" to 3/8" (5-10 mm) protrudes from the female Ferrule. For all other

tubing push the tube to the bottom of the groove in the male Ferrule. Then slide the female Ferrule down into the male Ferrule.

5. Firmly hand tighten the coupling nut onto the fitting.

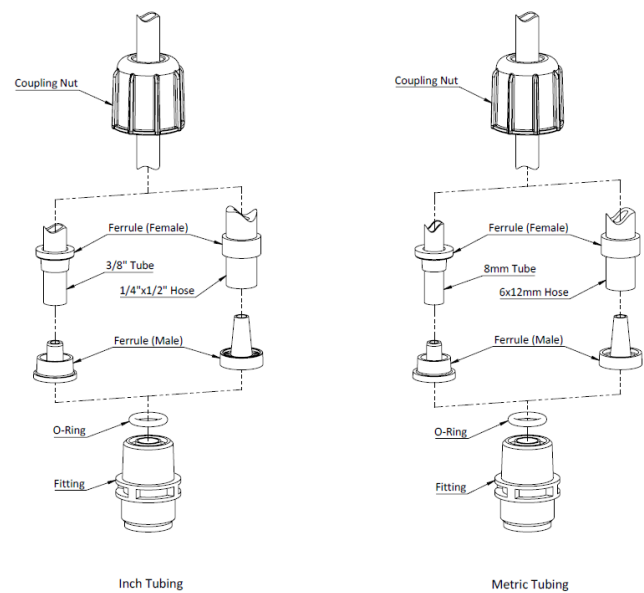


FIGURE 2

DO NOT USE CLEAR VINYL TUBING ON THE DISCHARGE SIDE OF THE PUMP.

DO NOT USE PLIERS OR PIPE WRENCH ON COUPLING NUTS OR FITTINGS.

C. CONNECTING SUCTION TUBING/FOOT VALVE

Note: High-viscosity liquid ends are not equipped with a foot valve. Flooded suction is recommended. 1/2" NPT connector is included for flooded suction installations.

1. The foot valve acts as a check valve to keep the pump primed in suction lift applications. Cut suction tubing to a length so that the foot valve hangs approximately 2 in (50 mm) above the bottom of the solution container. Please refer to Figures 3 and 4 for proper foot valve positioning. Maximum recommended vertical suction lift is 13.1 ft (4 m) for Output Codes 2 & 3 and 6.5 ft (2 m) for Output Code 4.

2. The ceramic weight, when installed, helps position foot valve in a vertical position. Attach the foot valve to one end of the suction tubing and slide the ceramic weight over the tubing end until it contacts the top of the foot valve coupling nut. Place foot valve and tubing into solution tank. Place foot valve and tubing into solution tank.

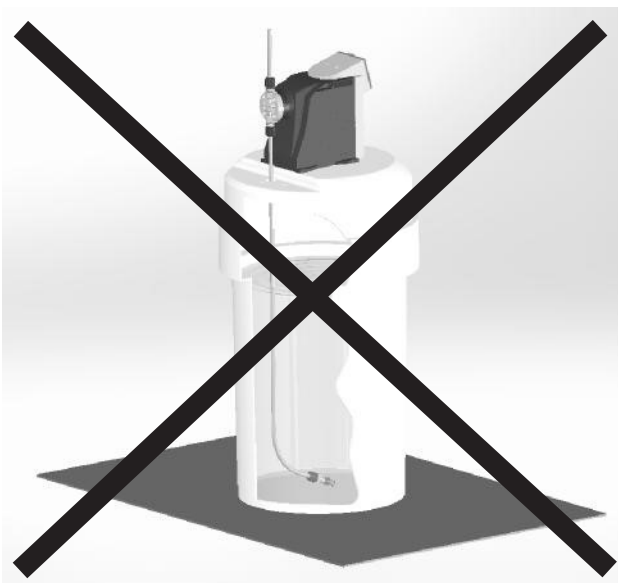


FIGURE 3 - Incorrect Foot Valve Installation

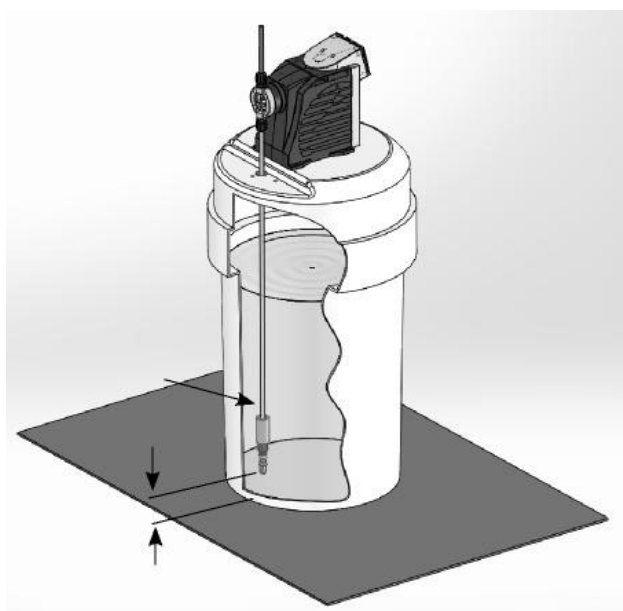



FIGURE 4 - Correct Foot Valve Installation

D. PRIMING

1. Prime the pump by pressing PRIME . The pump will operate at the flow rate and for the duration configured in the settings menu for the prime feature.
2. For more information on the prime feature, please refer to Section 4.5 the EXCEL XR Operation Manual available by searching for "Excel XR" on support.lmipumps.com or scanning the QR code below.



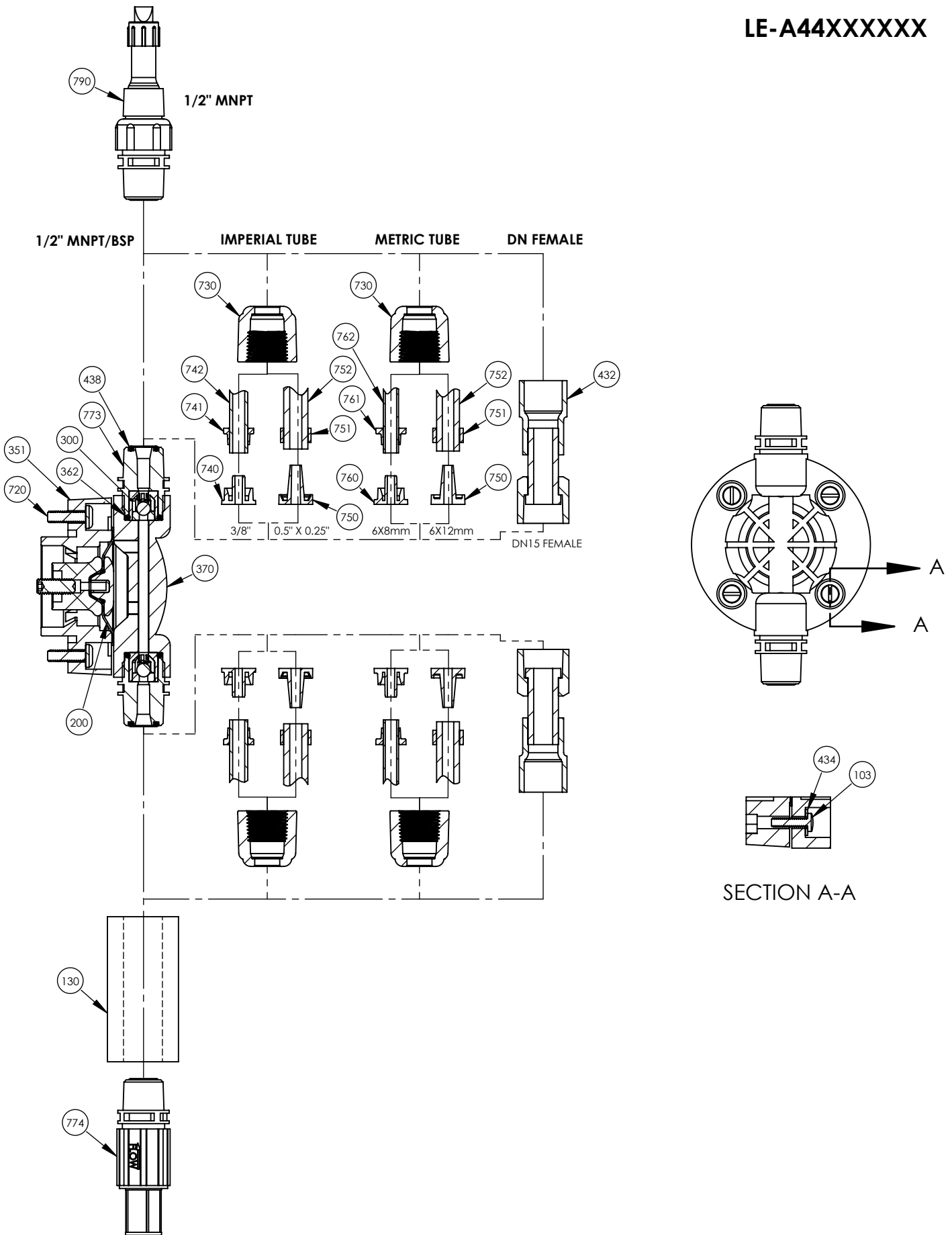
When tubing connections are loosened, chemical will drain from the line. Use appropriate safety precautions to avoid contact with chemical.

REFER TO THE EXCEL XR INSTRUCTION MANUAL FOR ADDITIONAL INSTRUCTIONS AND PRECAUTIONS.

You may contact your local LMI Distributor for additional information or visit LMI on the web at www.lmipumps.com

Specifications subject to change without notice.
EXCEL® is a registered trademark of Milton Roy, LLC.
© 2018 Milton Roy, LLC — All rights reserved.

LE-A44XXXXXX



Key Number	Description	Part Number	Quantity											
			A44ACA7T1	A44ATA7T1	A44ACA7PN	A44ATA7PN	A44A1A7T1	A44A1A7PN	A44ACA7M2	A44ATA7M2	A44A1A7M2	A44ACA2FN	A44ATA2FN	A44A1A2FN
103	SCREW, HEAD	10340	4	4	4	4	4	4	4	4	4	4	4	4
130	WEIGHT, SUCTION TUBING	10322	1	1	-	-	1	-	1	1	1	-	-	-
200	DIAPHRAGM	77118	1	1	1	1	1	1	1	1	1	1	1	1
300	ASSY, CV CARTRIDGE	58993	2	-	2	-	-	-	2	-	-	2	-	-
		37859	-	2	-	2	-	-	-	2	-	-	2	-
		58997	-	-	-	-	2	2	-	-	2	-	-	2
351	SPACER, LIQUID END	35116	1	1	1	1	1	1	1	1	1	1	1	
353	SECONDARY DIA-PHRAGM (BOOT)*	35330	1	1	1	1	1	1	1	1	1	1	1	
362	O-RING, CV	36103	2	2	2	2	2	2	2	2	2	2	2	
370	HEAD	37012	1	1	1	1	1	1	1	1	1	1	1	
432	DN15 FEMALE ADAPTER	77447	-	-	-	-	-	-	-	-	-	1	1	1
434	WASHER, HEAD	55367	4	4	4	4	4	4	4	4	4	4	4	
438	O-RING, CV	48349	2	2	2	2	2	2	2	2	2	2	2	
720	FASTENER, SPACER, LIQUID END	70054	4	4	4	4	4	4	4	4	4	4	4	
730	COUPLING NUT	48378	4	4	-	-	4	-	4	4	4	-	-	-
740	FERRULE, MALE, .375 OD	70192	4	4	-	-	4	-	-	-	-	-	-	
741	FERRULE, FEMALE, .375 OD	70193	4	4	-	-	4	-	-	-	-	-	-	
742	TUBING, 3/8", PE	10342-16	1	1	-	-	1	-	-	-	-	-	-	
750	FERRULE, MALE, 1/4 X 1/2, HOSE	53441	4	4	-	-	4	-	-	-	-	-	-	
	FERRULE METRIC, CONNECTOR 6X12	70185	-	-	-	-	-	-	4	4	4	-	-	
751	FERRULE, FEMALE, 1/4 X 1/2, HOSE	53442	4	4	-	-	4	-	-	-	-	-	-	
	FERRULE METRIC, CLAMP RING 6X12	70121-6M	-	-	-	-	-	-	4	4	-	-	-	
752	TUBING, 0.5" X 0.25", REINFORCED PVC	54342-20	1	1	-	-	1	-	-	-	-	-	-	
	TUBING, 6X12MM, REINFORCED PVC		-	-	-	-	-	-	1	1	1	-	-	
760	FERRULE, MALE 6X8MM	70187	-	-	-	-	-	-	4	4	4	-	-	
761	FERRULE, FEMALE 6X8MM	70188	-	-	-	-	-	-	4	4	4	-	-	
762	TUBING, 6X8MM, PE	36181-6M	-	-	-	-	-	-	1	1	1	-	-	
773	FITTING, CV	70183	2	2	2	2	2	2	2	2	2	2	2	
774	FOOT VALVE	58985	1	-	-	-	-	-	1	-	-	-	-	
		56043	-	1	-	-	-	-	-	1	-	-	-	
		58987	-	-	-	-	1	-	-	-	1	-	-	
790	INJECTION VALVE	58982	1	-	-	-	-	-	1	-	-	-	-	
		56045	-	1	-	-	-	-	-	1	-	-	-	
		58983	-	-	-	-	1	-	-	-	1	-	-	

CV = Check Valve

*Boot not shown in drawing