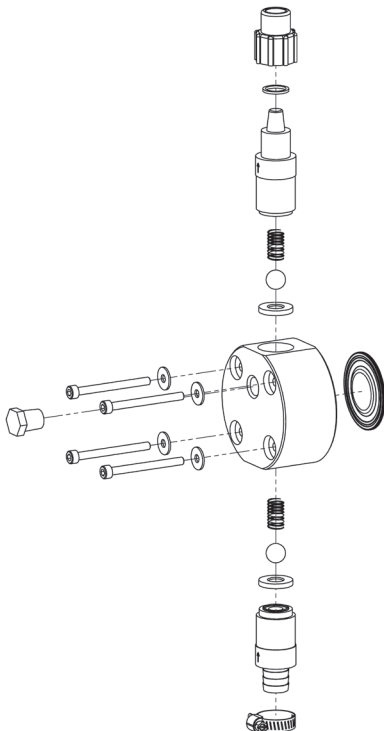


Information Sheet

Roytronic EXCEL™

High Viscosity Liquid Ends

- Pump polymers without dilution
- Pumps may be used with flooded suction or with as much as 3.5 ft (1m) of suction lift
- May be run dry without damage to liquid end or pump
- Pump polymers and other thixotropic viscous liquids with apparent viscosities up to 40,000 centipoise



Choose from a wide variety of pump drive assemblies. Output capabilities from 0.005 gph (0.02 lph.) to 2 gph. (7.6 lph.) Your choice of manual or automatic stroke frequency control.

Liquifram™ size code must match pump drive assembly size code for compatibility. Consult LMI catalog or local LMI distributor or factory for more detailed information.



201 Ivyland Road
Ivyland, PA 18974 USA
TEL: (215) 293-0401
FAX: (215) 293-0445
<http://www.lmipumps.com>

HIGH VISCOSITY LIQUID ENDS — SPECIFICATIONS

Liquid End P/N	LIQUIFRAM™ Size Code	Materials of Construction				Tubing & Connections Discharge / Suction
		Head / Fittings	Balls	Liquifram™	Seat/O-ring	
624VI	2	PP / PP	316ss	Fluorofilm™	PTFE	PE .5" O.D. / Vinyl .938" O.D.
624VP	2	PP / PP	316ss	Fluorofilm™	PTFE	1/2" NPT / Vinyl .938" O.D.
624PI	2	PP / PP	316ss	Fluorofilm™	PTFE	PE .5" O.D. / Vinyl .938" O.D.
624PP	2	PP / PP	316ss	Fluorofilm™	PTFE	1/2" NPT / Vinyl .938" O.D.
626VI	2	Acrylic / PP	316ss	Fluorofilm™	Viton®	PE .5" O.D. / Vinyl .938" O.D.
634VI	3	PP / PP	316ss	Fluorofilm™	PTFE	PE .5" O.D. / Vinyl .938" O.D.
634VP	3	PP / PP	316ss	Fluorofilm™	PTFE	1/2" NPT / Vinyl .938" O.D.
634PI	3	PP / PP	316ss	Fluorofilm™	PTFE	PE .5" O.D. / Vinyl .938" O.D.
634PP	3	PP / PP	316ss	Fluorofilm™	PTFE	1/2" NPT / Vinyl .938" O.D.
636VI	3	Acrylic / PP	316ss	Fluorofilm™	Viton®	PE .5" O.D. / Vinyl .938" O.D.
644VI	4	PP / PP	316ss	Fluorofilm™	PTFE	PE .5" O.D. / Vinyl .938" O.D.
644VP	4	PP / PP	316ss	Fluorofilm™	PTFE	1/2" NPT / Vinyl .938" O.D.
644PI	4	PP / PP	316ss	Fluorofilm™	PTFE	PE .5" O.D. / Vinyl .938" O.D.
644PP	4	PP / PP	316ss	Fluorofilm™	PTFE	1/2" NPT / Vinyl .938" O.D.
646VI	4	Acrylic / PP	316ss	Fluorofilm™	Viton®	PE .5" O.D. / Vinyl .938" O.D.

All high viscosity liquid ends are equipped with 1/2" male NPT fittings for connection to both supply reservoir and injection point.

VI indicates standard high viscosity head with inch tubing.

VP indicates standard high viscosity head with pipe connections on the discharge.

PI indicates high viscosity head with optional priming port and inch tubing.

PP indicates high viscosity head with optional priming port and pipe connections on the discharge.

Note: Pipe connections and priming port are not available with Acrylic heads.

TYPICAL INSTALLATION

