



Note: 5/8" O.D. Containment Tubing Must Be Purchased Separately.

5/8" O.D. containment tubing: Determine the total discharge tubing distance between the metering pump and the injection point. Purchase a continuous length of 5/8" O.D. x 1/16" wall Polyethylene tubing capable of accommodating this distance and additional footage to provide an overflow return line back to the supply tank.

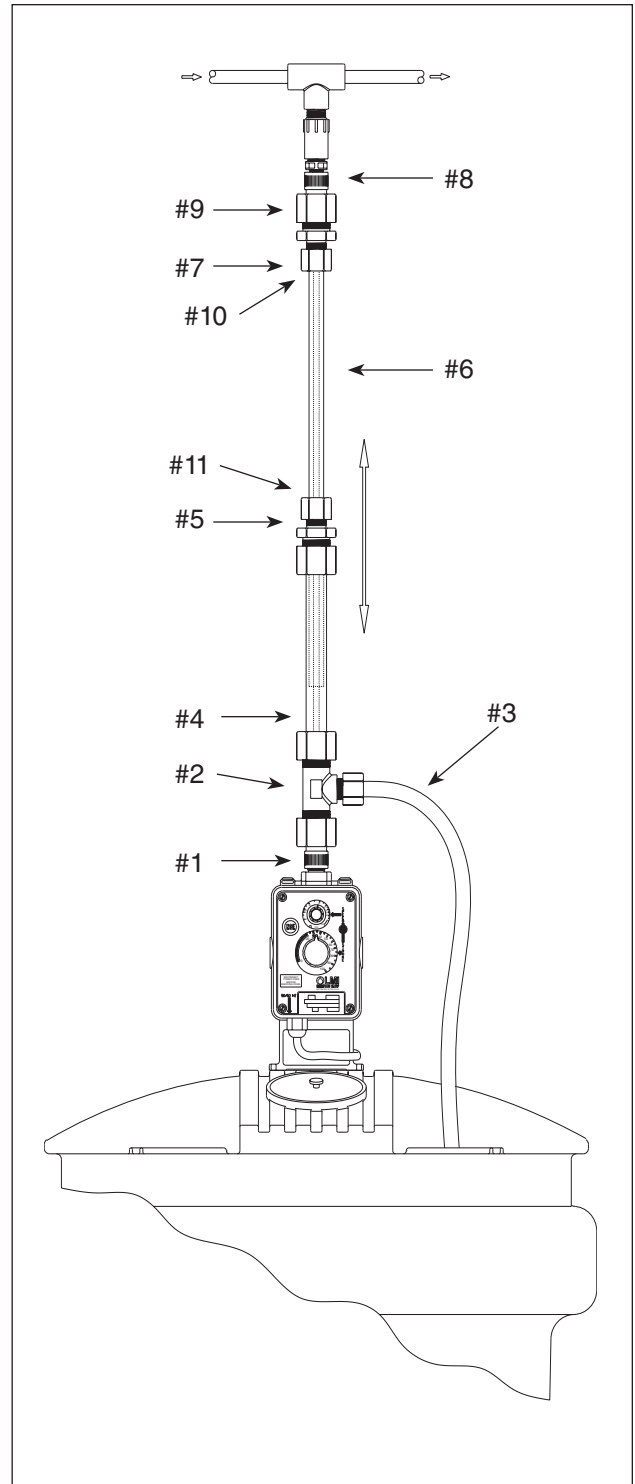
Installation

1. Attach the discharge tubing (3/8" or 1/4" O.D.) at the pump head discharge valve or fitting using one of the kit supplied coupling nuts. This Kit contains 2 sets of coupling nuts; one for LMI's new tubing connections (Diamond Knul on Nut) and one for LMI's old tubing connections (Straight Knul on Nut).
2. Slide the 7/8" x 7/8" x 5/8" Tee over the 3/8" or 1/4" discharge tubing line then over the coupling nut until it bottoms. Tighten by hand.
3. Connect a piece of 5/8" tubing to the Tee; be sure it is sufficient in length to return to the supply tank. Tighten by hand.
4. Slide the 2 foot long 7/8" telescope tube over the discharge tubing and into the Tee until it bottoms. Tighten by hand.
5. Slide one of the 7/8" by 5/8" tubing connectors (7/8" end first) over the discharge tubing, then over the top of the 7/8" telescope tube until it bottoms. Tighten by hand.
6. Slide the entire length of 5/8" containment tubing over the discharge tubing. **Note: When containing 3/8" O.D. size tubing, it may be necessary to apply some liquid soap mixed with water to the outside of the 3/8" tubing to reduce friction.**

Engage the 5/8" containment tubing through the 5/8" connector as far into the 7/8" telescope tube as possible. **Note: The total length of discharge tubing exiting the 5/8" containment tube at the other end must be shorter than 2 feet. This is the maximum telescope travel required to make the last containment tubing connection.**

7. Slide the second tubing connectors (5/8" end first) over the discharge tubing then over the 5/8" tubing leaving it loose.
8. Using the other kit supplied coupling nut, connect the discharge tubing to the injection check valve fitting.
9. Slide the 7/8" end of the connector back up and over the coupling nut until it bottoms. Tighten by hand.
10. Slide the 5/8" containment tubing up and into the connector. **Note: This tube should move freely telescoping within the 7/8" tube. Tighten by hand.**
11. Tighten down the 5/8" end of the first connector around the containment tubing. The containment tubing should be completely installed.
12. **Go back and check to make sure that all connections are tight to prevent leaks. Tighten all connections by hand.**

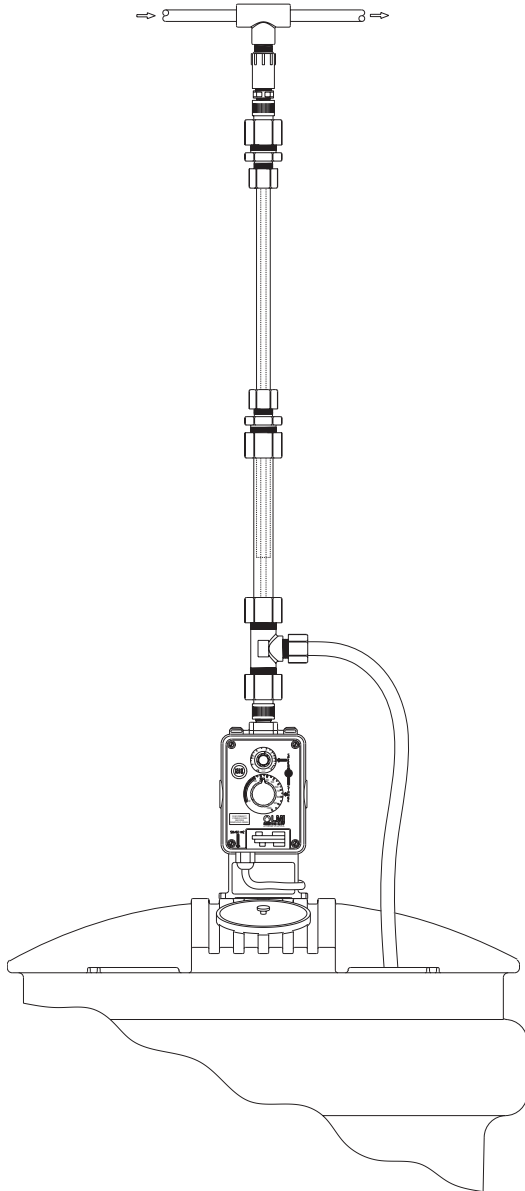
LMI Secondary Tubing Containment Kit



LMI Secondary Tubing Containment Kit / Part No. 35899

5/8" Tubing Purchased Separately

When pumping solutions, make certain that all tubing is securely attached to the fittings. It is recommended that tubing or pipe lines be shielded to prevent possible injury in case of rupture or accidental damage. Always wear protective clothing and face shield when working on or near your metering pump.



- Provides Secondary Containment of 1/4" and 3/8" O.D. Discharge Tubing
- Corrosion Resistant Polypropylene and Polyethylene Construction
- Overflow Line Routes Solution Safely Back to Supply Tank
- Customer Provided 5/8" O.D. Tubing Required

LMI's tubing containment kit provides secondary containment of 1/4" and 3/8" discharge tubing. The kit provides all the necessary connections needed for 5/8" O.D. *customer supplied* containment tubing. This unique design protects the entire *discharge* tubing run from pump to injection point. An overflow return line safely routes chemical back to the supply tank.

