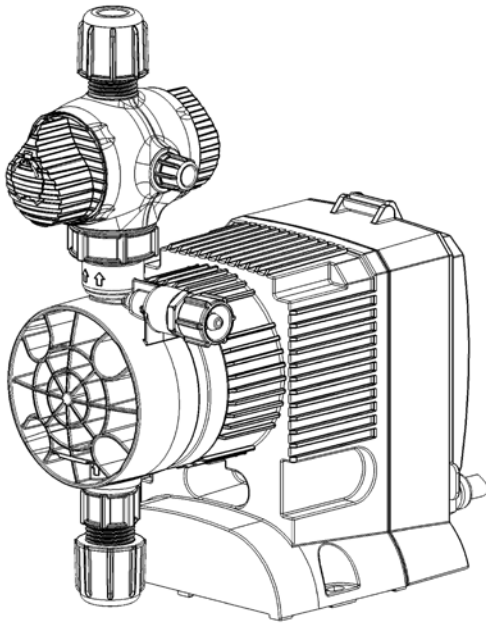


ROYTRONIC® 4-Function Valve

For 300/400/700/800/900 Series Cartridge Valve Liquid Ends



The Roytronic® series metering pumps are available with a new 4-function valve designed with advanced features.

- Ergonomic design for easy control of functions.
- A new mounting connection that swivels 360° to the position best suited for the installation.
- LMI's new tubing connection system for the most secure connection available with an electronic metering pump.
- Hardware is protected from chemicals.

The Four Functions:

Anti-Siphon

The discharge flow path goes through a port that only opens on the discharge stroke of the pump. This prevents the discharge line from siphoning liquid from the supply tank in most applications.

Back Pressure

The diaphragm that controls anti-siphoning creates approximately 20 psi (1.4 Bar) back pressure on the pump's discharge valve which improves system performance.

Pressure Relief

A second diaphragm protects the pump from overpressure by releasing fluid to a relief port in the event of excessive discharge line pressure.

Pressure Release

This function makes it easy and safe to depressurize the discharge line without loosening tubing or fittings.

Model Numbers

Valve Number	Wetted Materials			Max Pressure
	Body	Diaphragm	"O" Ring	
48753	PVC	Fluorofilm™	Polyprel®	150 PSI (10 Bar)
48754	PVDF		Polyprel®	
48755	PVDF		PTFE	
48756	PP		PTFE	
48798	PVC		Polyprel®	250 PSI (17 Bar)
48799	PVDF		Polyprel®	
48800	PVDF		PTFE	
48801	PP		PTFE	

Valves supplied with a pump include connections as specified by pump model number. All valves sold as separate accessories are supplied with 1/2" NPT connection. Units with a solid black knob are rated for 150 psi. Units with a black knob with a yellow insert are rated for 250 psi.

For tubing connection, order one of the following kits:

Connection Kits

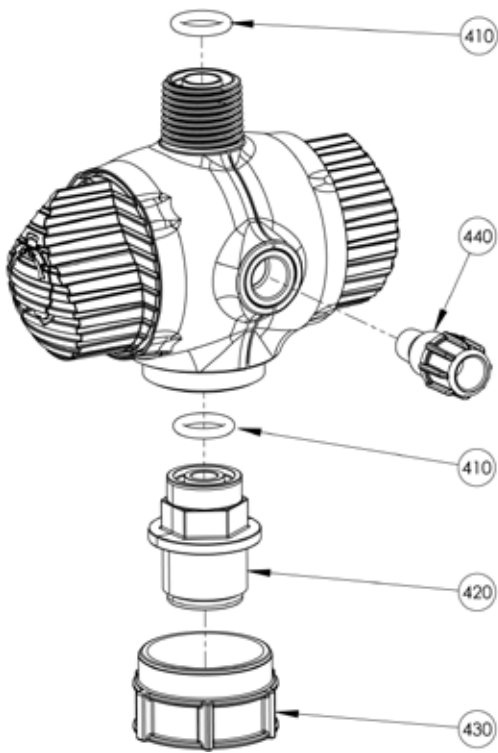
Kit #	LMI Tubing Size	Contents
77378	3 x 6 mm	1 Knob, 1 Ferrule
77379	6 x 8 mm	1 Knob, 1 Ferrule
77380	9 x 12 mm	Insert, 1 Sleeve
77382	1/4"	1 Knob, 1 Ferrule
77383	3/8"	1 Knob, 1 Ferrule
77384	1/2"	Insert, 1 Sleeve



201 Ivyland Road
Ivyland, PA 18974 USA
TEL: (215) 293-0401
FAX: (215) 293-0445
<http://www.lmipumps.com>

ROYTRONIC® 4-Function Valve

For 300/400/700/800/900 Series Cartridge Valve Liquid Ends



Connections

- To mount to a pump, remove the discharge fitting from the pump (if present) leaving the cartridges in the pump head. Position the coupling nut (part 430 on diagram) on pump head over cartridges with threads up, and insert 4FV fitting (part 420 on diagram) and thread into pump head over cartridges. Tighten the fitting to 50 in-lbs using a 13/16" or 20 mm socket. Insert the large opening on the 4-Function valve into the coupling knob and hand tighten. You can position the valve to have the bypass port in any convenient location by tightening the coupling nut with the bleed port positioned 90° CCW from desired location, then holding the nut stationary while turning the valve the final 90° to desired position.
- Connect 1/4" tubing to the bypass port and route to supply container.
- Connect discharge line using LMI tubing connection system or 1/2" pipe thread.

The New 4-Function Valve is designed for double-ballchecks. A second check valve cartridge is required when mounting a new 4-Function Valve to an existing pump with a 300, 400 or 700 liquid end. The table below provides cartridge part numbers.

Liquid End Cartridge Numbers

Liquid End	Cartridge
353, 455	37334
352, 358, 450, 458	37335
363, 393, 465, 495	37337
362, 368, 392, 398, 460, 468, 490, 498	37338
459	37858
469, 499	37859
718	48542
728, 738, 748	48543

Method of Operation

A. Priming

1. Connect all tubing per instructions
2. Turn black knob about 1/8 turn CCW to stop point to open bypass port.
3. Set pump at 100% speed and 100% stroke length. Start pump. When fluid has been flowing through the bypass port tubing for 10-20 seconds, the pump is primed.
4. Stop pump and return black knob to normal position.

Note: The pumps are normally self priming if suction lift is less than 5 feet (1.5 meters), check valves are wet (there is usually water in the pump head when shipped from the factory), and the steps above are followed. If the pump does not self prime, you can choose one of 2 ways to help prime:

1. Remove the 4-Function valve and discharge cartridges and slowly pour water or solution into the pump head until it is filled. Replace cartridges and 4-Function valve and repeat steps above.
2. Or, temporarily improve suction conditions by pumping from a container closer to or above pump.

B. Depressurizing the Discharge Line

When preparing to maintain the pump or any component in the discharge line, the 4-Function valve is used to depressurize the line. Be sure an injection check valve is properly installed and is operating, and that all tubing connections on the 4-Function valve are secure.

1. Turn off the pump
2. If any valves have been installed downstream of the pump, close them.
3. If the supply tank for the pump is higher than the pump head, fluid will flow through unless a suction line valve is closed.
4. Turn the black knob on the 4 function valve about 1/8 turn CCW to its open position. This relieves pressure between the pump and the 4-Function valve.
5. To release line pressure, while the black knob is in the open position, turn the yellow knob and hold open until fluid flow through the bypass port stops.