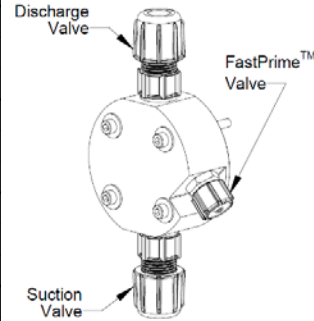


SERIES PD METERING PUMPS



FastPrime™ Liquid Ends

Output	PSI	GPH	BAR	LPH
PDx1	450	0.10	30.6	0.38
	300	0.20	20.4	0.76
	150	0.25	10.3	0.95
PDx4	250	0.35	17.3	1.32
	150	0.52	10.3	1.97
PDx5	50	0.68	3.4	2.6
	150	0.80	10.3	3.0
	110	1.00	7.6	3.8
PDx6	30	1.10	2.0	4.2
	70	1.70	4.8	6.4
	60	1.85	4.1	7.0
	50	2.00	3.4	7.6



FastPrime™ Has an integral manual priming valve to facilitate quick pump start-up.

Control Codes

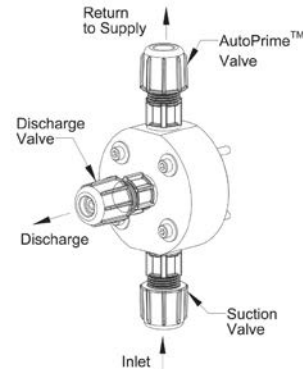
For support:



Key Features	PD0	PD7
Stroke frequency manually adjustable	✓	✓
Pulse signal input controls frequency		✓
Remote Start/Stop		✓
Low level float switch input		✓
Enhanced functionality		
• Calibration assist		✓
• System & user totalizer		
• StayPrime™ Degassing Technology		

AutoPrime™ Liquid Ends

Output	PSI	GPH	BAR	LPH
PDx4	250	0.20	17.3	0.76
	150	0.30	10.3	1.14
PDx5	110	0.75	7.6	2.8
	50	0.85	3.4	3.22
PDx6	50	1.75	3.4	6.6
	30	1.85	2.0	7.0



AutoPrime™ Allows for the constant removal of vapors and gases present in applications like sodium hypochlorite and hydrogen peroxide.










4 Function Valve

- This diaphragm type, anti-syphon/pressure relief valve is installed on the pump head.
- Can be oriented as required (360°) at precisely the desired position.
- Easier to use thanks to the more user-friendly design of the priming knobs and back pressure valve

What's in the Box

PD Series units include:

						
Tube Connection Hardware	Quick Start Guide	Suction/Discharge & Bleed Tubing	Injection Check Valve	Foot Valve	Ceramic Weight	5-pin Control Cable

Stainless Steel LE units

PD7 units include:

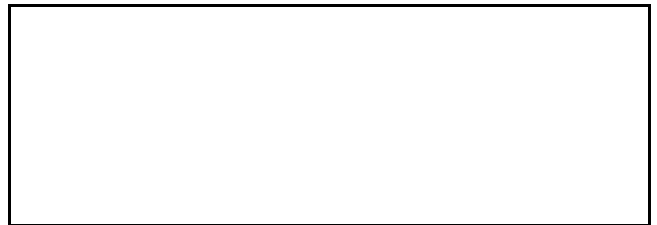
SERIES PD METERING PUMP SELECTION AND PRICING

OUTPUT CODE 1

0.25 GPH (0.95 LPH); 450 psi (30.6 bar)

PDx1								Price	
Drive End									
Control									
PD01 Manual Control								\$ 315	
PD71 Enhanced control with Pulse Input, Remote Stop/Start, and Tank Level Input								\$ 540	
Power Code	Voltage	Frequency	Plug						
1	115/230V	50-60 HZ	110 - 120V US Plug, UL					\$ -	
2	115/230V	50-60 HZ	220 - 240V US Plug, UL					\$ -	
3	115/230V	50-60 HZ	220 - 240V DIN Plug, CE					\$ -	
5	115/230V	50-60 HZ	220 - 240V UK Plug, CE					\$ -	
6	115/230V	50-60 HZ	220 - 240V Aust/NZ Plug					\$ -	
	Liquid End	Head	Fittings	Balls	Seat / O-Ring	Connections	RPM Kit		
Machined FastPrime™									
	907NP	316SS	316SS	316SS	316SS / PTFE	1/4" NPT	RPM-907	\$ 526	
PD01	1	-907NP							

RPM Kit	Price	Contents
RPM-907	\$ 206	



SERIES PD METERING PUMP SELECTION AND PRICING

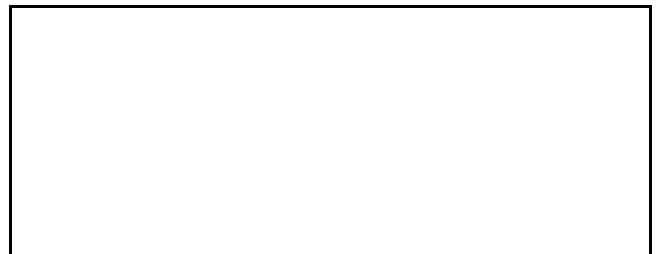
OUTPUT CODE 4

0.68 GPH (2.6 LPH); 250 psi (17.0 bar)

Autoprime™ 0.20 GPH (0.76 LPH); 250 psi (17.0 bar)

PDx4							Price
Drive End							
Control							
PD04 Manual Control							\$ 315
PD74 Enhanced control with Pulse Input, Remote Stop/Start, and Tank Level Input							\$ 540
Power Code	Voltage	Frequency	Plug				
1	110/240V	50-60 HZ	110 - 120V US Plug, UL				\$ -
2	110/240V	50-60 HZ	220 - 240V US Plug, UL				\$ -
3	110/240V	50-60 HZ	220 - 240V DIN Plug, CE				\$ -
5	110/240V	50-60 HZ	220 - 240V UK Plug, CE				\$ -
6	110/240V	50-60 HZ	220 - 240V Aust/NZ Plug				\$ -
Liquid End	Head	Fittings	Balls	Seat / O-Ring		RPM Kit	
Molded FastPrime™							
822	PVDF	PVDF	Ceramic	PTFE / Polyprel®		RPM-822	\$ 275
823	PVDF	PVDF	Ceramic	PTFE / PTFE		RPM-823	\$ 316
828	PVC	PVC	Ceramic	PTFE / Polyprel®		RPM-822	\$ 232
Machined FastPrime™							
925	PP	PP	Ceramic	PTFE / Polyprel®		RPM-823	\$ 343
927	316SS	316SS	316SS	316SS / PTFE		RPM-927	\$ 538
928	PVC	PVC	Ceramic	PTFE / Polyprel®		RPM-822	\$ 334
929	Acrylic	PVDF	PTFE	Polyprel®		RPM-929	\$ 353
920	Acrylic	PVC	Ceramic	PTFE / Polyprel®		RPM-822	\$ 340
AutoPrime™							
A28	PVC	PVC	Ceramic	PTFE / Polyprel®		RPM-A20A	\$ 334
A20	Acrylic	PVC	Ceramic	PTFE / Polyprel®		RPM-A20A	\$ 340
Valve Code							
S	FastPrime Head with 4 Function Valve						\$ 64
N	FastPrime Head						\$ -
H	AutoPrime Head with 4 Function Valve						\$ 127
A	AutoPrime Head						\$ 64
Connection Code							
I	Inch Tubing						\$ -
P	1/4" NPT (316SS Heads only)						\$ -
PD04	1	- 822	S	I			

RPM Kit	Price	Contents
FastPrime™		
RPM-822	\$ 122	
RPM-823	\$ 164	
RPM-927	\$ 206	
RPM-929	\$ 122	
AutoPrime™		
RPM-A20A	\$ 155	



SERIES PD METERING PUMP SELECTION AND PRICING

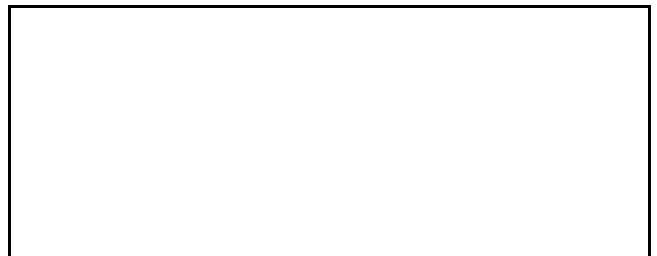
OUTPUT CODE 5

1.1 GPH (4.2 LPH); 150 psi (10.2 bar)

Autoprime™ 0.75 GPH (2.84 LPH); 110 psi (7.5 bar)

PDx5					Price	
Drive End					Price	
Control					Price	
PD05 Manual Control					\$ 315	
PD75 Enhanced control with Pulse Input, Remote Stop/Start, and Tank Level Input					\$ 540	
Power Code	Voltage	Frequency	Plug		Price	
1	110/240V	50-60 HZ	110 - 120V US Plug, UL		\$ -	
2	110/240V	50-60 HZ	220 - 240V US Plug, UL		\$ -	
3	110/240V	50-60 HZ	220 - 240V DIN Plug, CE		\$ -	
5	110/240V	50-60 HZ	220 - 240V UK Plug, CE		\$ -	
6	110/240V	50-60 HZ	220 - 240V Aust/NZ Plug		\$ -	
Liquid End	Head	Fittings	Balls	Seat / O-Ring	RPM Kit	
Molded FastPrime™						
832	PVDF	PVDF	Ceramic	Polyprel®	RPM-832	\$ 275
833	PVDF	PVDF	Ceramic	PTFE	RPM-833	\$ 316
838	PVC	PVC	Ceramic	Polyprel®	RPM-832	\$ 232
Machined FastPrime™						
935	PP	PP	Ceramic	PTFE	RPM-833	\$ 343
937	316SS	316SS	316SS	316SS / PTFE	RPM-937	\$ 538
938	PVC	PVC	Ceramic	Polyprel®	RPM-832	\$ 334
939	Acrylic	PVDF	PTFE	Polyprel®	RPM-939	\$ 353
930	Acrylic	PVC	Ceramic	Polyprel®	RPM-832	\$ 340
AutoPrime™						
A38	PVC	PVC	Ceramic	PTFE / Polyprel®	RPM-A30A	\$ 334
A30	Acrylic	PVC	Ceramic	PTFE / Polyprel®	RPM-A30A	\$ 340
Valve Code						
S	FastPrime Head with 4 Function Valve				\$ 64	
N	FastPrime Head				\$ -	
H	AutoPrime Head with 4 Function Valve				\$ 127	
A	AutoPrime Head				\$ 64	
Connection Code						
I	Inch Tubing				\$ -	
P	1/4" NPT (316SS Heads only)				\$ -	
PD05	1	- 832	S	I		

RPM Kit	Price	Contents
FastPrime™		
RPM-832	\$ 126	
RPM-833	\$ 166	
RPM-937	\$ 206	
RPM-939	\$ 126	
AutoPrime™		
RPM-A30A	\$ 168	



SERIES PD METERING PUMP SELECTION AND PRICING

OUTPUT CODE 6

2.0 GPH (7.6 LPH); 70 psi (4.8 bar)

Autoprime™ 1.75 GPH (6.62 LPH); 50 psi (3.4 bar)

PDx6							Price
Drive End							
Control							
PD06 Manual Control							\$ 315
PD76 Enhanced control with Pulse Input, Remote Stop/Start, and Tank Level Input							\$ 540
Power Code	Voltage	Frequency	Plug				
1	110/240V	50-60 HZ	110 - 120V US Plug, UL				\$ -
2	110/240V	50-60 HZ	220 - 240V US Plug, UL				\$ -
3	110/240V	50-60 HZ	220 - 240V DIN Plug, CE				\$ -
5	110/240V	50-60 HZ	220 - 240V UK Plug, CE				\$ -
6	110/240V	50-60 HZ	220 - 240V Aust/NZ Plug				\$ -
Liquid End	Head	Fittings	Balls	Seat / O-Ring	RPM Kit		
Molded FastPrime™							
842	PVDF	PVDF	Ceramic	Polyprel®	RPM-842		\$ 275
843	PVDF	PVDF	Ceramic	PTFE	RPM-843		\$ 316
848	PVC	PVC	Ceramic	Polyprel®	RPM-842		\$ 232
Machined FastPrime™							
945	PP	PP	Ceramic	PTFE	RPM-843		\$ 343
947	316SS	316SS	316SS	316SS / PTFE	RPM-947		\$ 538
948	PVC	PVC	Ceramic	Polyprel®	RPM-842		\$ 334
949	Acrylic	PVDF	PTFE	Polyprel®	RPM-949		\$ 353
940	Acrylic	PVC	Ceramic	Polyprel®	RPM-842		\$ 340
AutoPrime™							
A48	PVC	PVC	Ceramic	PTFE / Polyprel®	RPM-A40A		\$ 334
A40	Acrylic	PVC	Ceramic	PTFE / Polyprel®	RPM-A40A		\$ 340
Valve Code							
S	FastPrime Head with 4 Function Valve						\$ 64
N	FastPrime Head						\$ -
H	AutoPrime Head with 4 Function Valve						\$ 127
A	AutoPrime Head						\$ 64
Connection Code							
I	Inch Tubing						\$ -
P	1/4" NPT (316SS Heads only)						\$ -
PD06	1	- 842	S	I			

RPM Kit	Price	Contents
FastPrime™		
RPM-842	\$ 147	
RPM-843	\$ 186	
RPM-947	\$ 206	
RPM-949	\$ 147	
AutoPrime™		
RPM-A40A	\$ 180	

