

# CASES and KITS

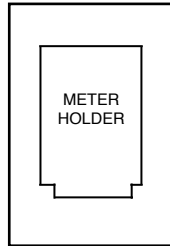
For Analog Handheld Instruments

# PRICE LIST



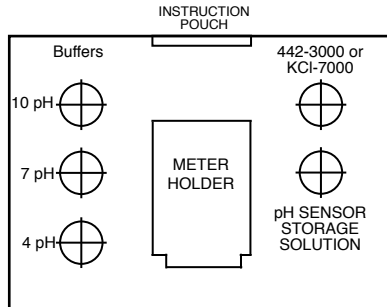
JANUARY 1, 2019

**For Model(s):**  
Any DS/pDS  
Meter



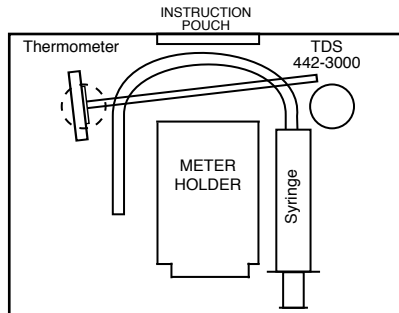
**PRODUCT:** Porta-Pak  
**MODEL #:** PTP  
**INCLUDES:** Small hard foam-lined carry case  
**DIMENSIONS\*:** 8.5 L x 5.4 W x 4.5 D in. / 216 L x 137 W x 114 D mm  
**PRICE:** \$68.00

**For Model(s):**  
PK3 - T2/PH  
T6/PH  
PK7 - EP11/PH



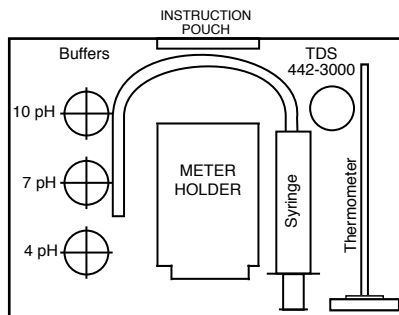
**PRODUCT:** Porta-Kit  
**MODEL #:** PK3 and PK7  
**INCLUDES:** Large hard foam-lined protective carry case, 2 oz./59 ml each of pH 4, 7, & 10 Buffers, pH Sensor Storage Solution, and either 442-3000 or KCI-7000  
**DIMENSIONS\*:** 13.6 L x 10 W x 5.4 D in. / 346 L x 254 W x 137 D mm  
**PRICE:** \$183.50

**For Model(s):**  
512M5



**PRODUCT:** Litho-Kit™  
**MODEL #:** CLK  
**INCLUDES:** Large hard foam-lined protective carry case, 2 oz./59 ml of 442-3000, graduated 35CC syringe and thermometer  
**DIMENSIONS\*:** 13.6 L x 10 W x 5.4 D in. / 346 L x 254 W x 137 D mm  
**PRICE:** \$220.00

**For Model(s):**  
M6/PH



**PRODUCT:** Litho-Kit™  
**MODEL #:** PLK  
**INCLUDES:** Large hard foam-lined protective carry case, 2 oz./59 ml each of 442-3000 and pH 4, 7, & 10 Buffers, graduated 35CC syringe and thermometer  
**DIMENSIONS\*:** 13.6 L x 10 W x 5.4 D in. / 346 L x 254 W x 137 D mm  
**PRICE:** \$260.00

## TERMS AND CONDITIONS *(Additional information upon request)*

All special order items are non-returnable and non-refundable.

Minimum order \$25.00. All prices are US dollars and are F.O.B Carlsbad, CA.

Terms: 1% 10 days, net 30 days on approved credit.

Credit Cards accepted: Visa, MasterCard, American Express, and Discover

Because of our policy of continuous product improvement, the Myron L® Company reserves the right to make changes in design, specifications, and prices without notice.

2450 Impala Drive  
Carlsbad, CA 92010-7226 USA

Tel: +1-760-438-2021

Fax: +1-800-869-7668 / +1-760-931-9189

www.myronl.com

**Built On Trust.** Founded in 1957, the Myron L® Company is one of the world's leading manufacturers of water quality instruments. Because of our commitment to product improvement, changes in design and specifications are possible. You have our assurance any changes will be guided by our product philosophy: accuracy, reliability, and simplicity.

