



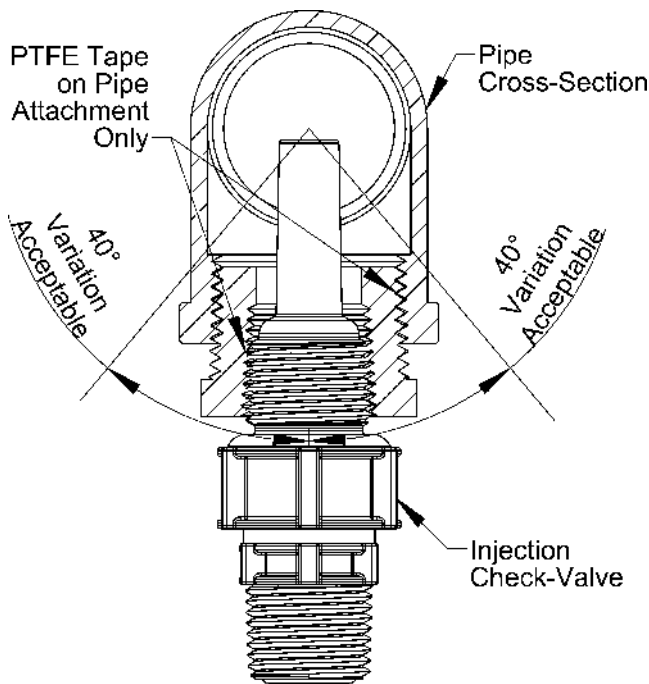
## LE-5x5xl

When pumping solutions, make certain that all tubing is securely attached to the fittings. It is recommended that tubing or pipe lines be shielded to prevent possible injury in case of rupture or accidental damage. Always wear protective clothing and face shield when working on or near your metering pump.

*Note: See parts list for materials of construction*

### A. INSTALLING INJECTION CHECK VALVE (FIGURE 1)

1. The Injection Check Valve prevents backflow from a treated line. Install the injection check valve at the location where chemical is being injected into the system.
2. Any size Female NPT fitting or pipe tee with a reducing bushing to 1/2" Female NPT will accept the injection check valve. PTFE tape should only be used on threads that are connected with pipes.
3. When installing the Injection Check Valve, be sure to position it so that the valve enters the bottom of your pipe in a vertical position. Variations 40° left and right are acceptable.



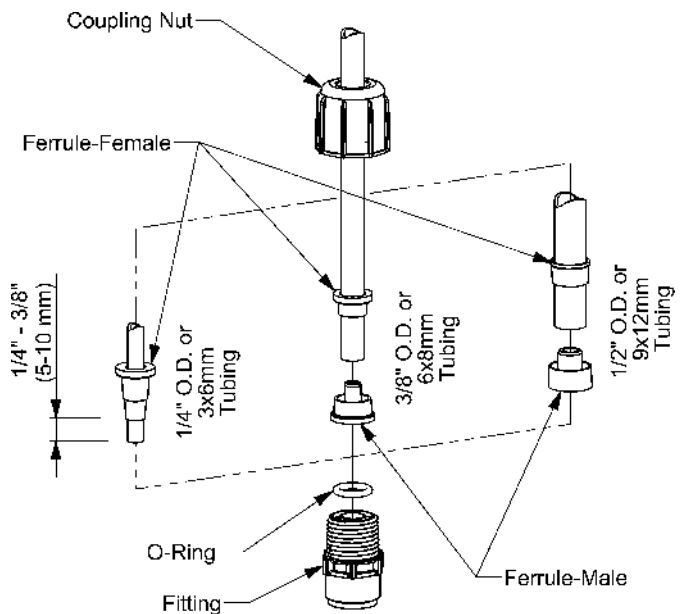
**FIGURE 1**

### B. CONNECTING DISCHARGE TUBING (FIGURE 2)

*Note: Cut tubing to length needed for discharge line.*

1. Route tubing from the injection check valve to the metering pump, making sure it does not touch hot or sharp surfaces, or is bent so sharply that it kinks.
2. Put coupling nut over tubing.

3. Position female Ferrule about one inch (25 mm) from end of tubing.
4. For 1/4" or 6 mm OD tubing, cut tubing so that 1/4" to 3/8" (5-10 mm) protrudes from the female Ferrule. For all other tubing push the tube to the bottom of the groove in the male Ferrule. Then slide the female Ferrule down into the male Ferrule.
5. Firmly hand tighten the coupling nut onto the fitting.



**FIGURE 2**

**DO NOT USE CLEAR VINYL TUBING ON THE DISCHARGE SIDE OF THE PUMP.** *The pressure created by the pump can rupture vinyl tubing, which is only for connection to the return line of the FastPrime™ fitting.*

**DO NOT USE PLIERS OR PIPE WRENCH ON COUPLING NUTS OR FITTINGS.**

### C. CONNECTING SUCTION TUBING

1. Cut suction tubing to a length so that the foot valve hangs just above the bottom of the solution container. Maximum recommended vertical suction lift is 5 ft (1.5m).
2. Follow same procedure in connecting suction tubing to suction valve and foot valve (see **B. Connecting Discharge Tubing**).



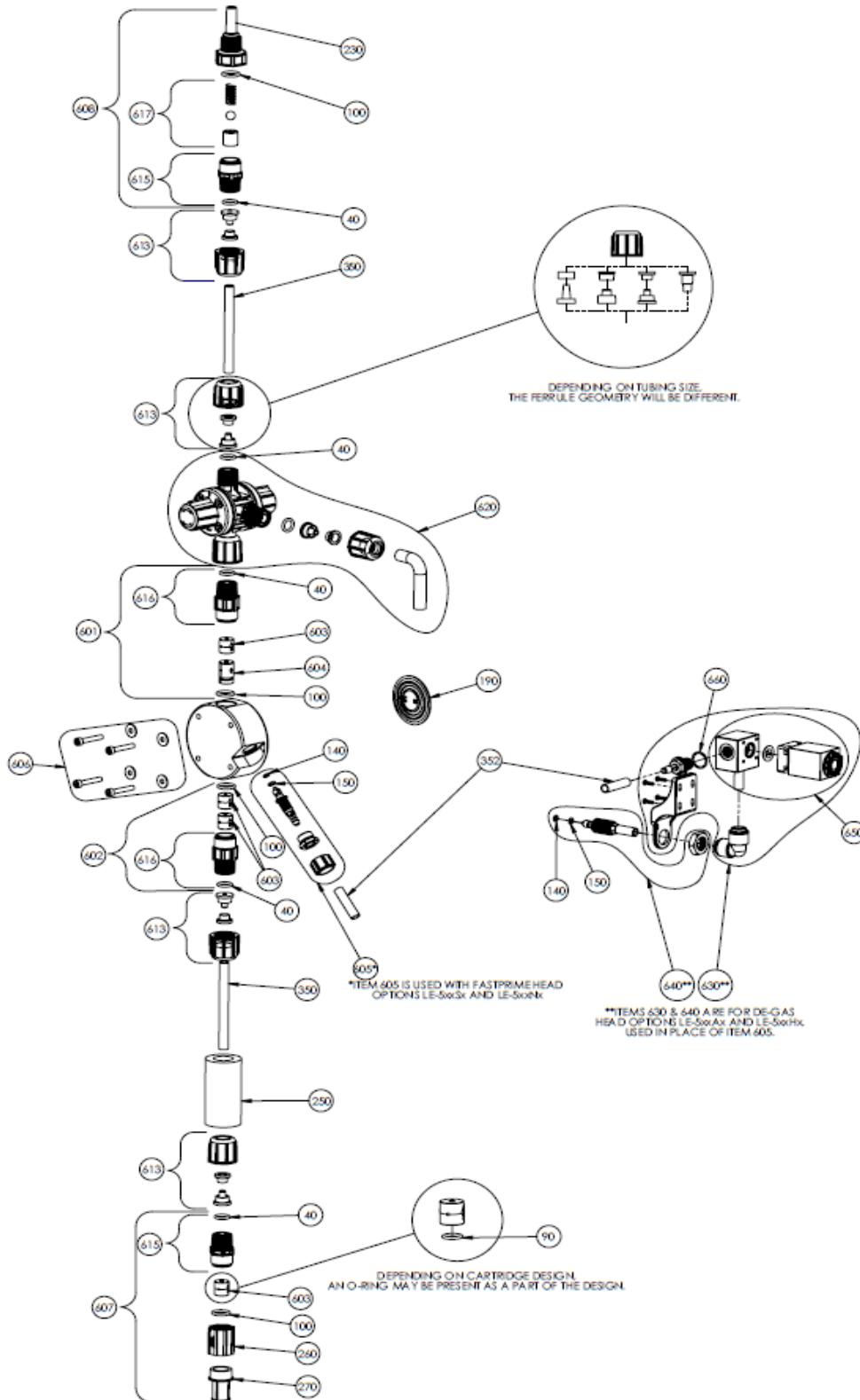
# LE-5x5xl

BBLE SEQ	DESCRIPTION	PART NUMBER	QUANTITY				QUANTITY			
			595SI	595NI	595HI	595AI	585SI	585NI	585HI	585AI
10	PUMP HEAD MACHINED FASTPRIME TM	TNP00062	1	1	1	1	1	1	1	1
		TNP00072	-	-	-	-	-	-	-	-
		TNP00102	-	-	-	-	-	-	-	-
		TNP00061	-	-	-	-	-	-	-	-
		TNP00071	-	-	-	-	-	-	-	-
40	O-RING	TNP00101	-	-	-	-	-	-	-	-
		48349	-	-	-	-	-	-	-	-
90	O-RING	48591	5	5	5	5	5	5	5	5
		39413	5	5	5	5	5	5	5	5
100	O-RING	36103	-	-	-	-	-	-	-	-
		48589	4	4	4	4	4	4	4	4
140	O-RING	48590	1	1	1	1	1	1	1	1
150	O-RING	48347	1	1	1	1	1	1	1	1
190	LIQUIFRAM™ SIZE CODE	TNP01010	1	1	1	1	1	1	1	1
190		TNP01020	-	-	-	-	-	-	-	-
190		TNP01030	-	-	-	-	-	-	-	-
230	INJECTION CHECK VALVE BODY	48618	-	-	-	-	-	-	-	-
		48619	1	1	1	1	1	1	1	1
250	CERAMICWEIGHT	10322	1	1	1	1	1	1	1	1
260	FOOT VALVE COUPLING	36204	1	1	1	1	1	1	1	1
270	FOOT VALVE STRAINER	10123	1	1	1	1	1	1	1	1
350	TUBING, SUCTION & DISCHARGE	25636-16	1	1	1	1	-	-	-	-
		10342-16	-	-	-	-	1	1	1	1
352	TUBING, FASTPRIME TM	10469-06	1	1	1	1	1	1	1	1
601	FASTPRIME TM DISCHARGE CHECK VALVE	48673	1	1	1	1	-	-	-	-
		48671	-	-	-	-	-	-	-	-
		TNA00130	-	-	-	-	-	-	-	-
		TNA00140	-	-	-	-	1	1	1	1
602	SUCTION CHECK VALVE	48685	1	1	1	1	-	-	-	-
		48683	-	-	-	-	-	-	-	-
		TNA00200	-	-	-	-	-	-	-	-
		TNA00210	-	-	-	-	1	1	1	1
603	CARTRIDGE VALVE	48692	-	-	-	-	-	-	-	-
		37859	-	-	-	-	-	-	-	-
		37337	-	-	-	-	4	4	4	4
		48546	4	4	4	4	-	-	-	-
604	FASTPRIME TM CARTRIDGE VALVE	48698	-	-	-	-	-	-	-	-
		48552	1	1	1	1	-	-	-	-
		TNA00260	-	-	-	-	-	-	-	-
		TNA00250	-	-	-	-	1	1	1	1
605	FASTPRIME TM VALVE	48701	1	1	-	-	1	1	-	-
		48699	-	-	-	-	-	-	-	-
606	LIQUID END HARDWARE	TNA00311	1	1	1	1	1	1	1	1
		TNA00313	-	-	-	-	-	-	-	-
607	FOOT VALVE	48727	1	1	1	1	-	-	-	-
		48719	-	-	-	-	-	-	-	-
		49106	-	-	-	-	-	-	-	-
		49108	-	-	-	-	1	1	1	1
608	INJECTION VALVE	48729	1	1	1	1	1	1	1	1
		48730	-	-	-	-	-	-	-	-
613	TUBING CONNECTION KIT (INCH)	54125	-	-	-	-	1	1	1	1
		77382-B	1	1	1	1	-	-	-	-
615	SINGLE BALL CHECK VALVE FITTING	48788 (9X9, 8X2, 8X4)	-	-	-	-	-	-	-	-
		48790 (9X5)	2	2	2	2	2	2	2	2
616	DOUBLE BALL CHECK VALVE FITTING	48792 (9X9, 8X2, 8X4)	-	-	-	-	-	-	-	-
		48794 (9X5)	2	2	2	2	2	2	2	2
617	INJECTION VALVE CARTRIDGE	48795	1	1	1	1	1	1	1	1
		48796	-	-	-	-	-	-	-	-
620	MFV ASSEMBLY KIT	57708	-	-	-	-	-	-	-	-
		57709	-	-	-	-	1	-	1	-
		57710	-	-	-	-	-	-	-	-
		57711	1	-	1	-	-	-	-	-
630	DEGAS VALVE SUB ASM, PVDF	TNA00281	-	-	1	1	-	-	1	1
640	DEGAS FASTPRIME STEM ASM, PVDF	TNA00291	-	-	1	1	-	-	1	1
650	DEGAS SOLENOID VALVE ASM	TNA00300	-	-	1	1	-	-	1	1
660	O-RING	TNA00053	-	-	1	1	-	-	1	1

BBLE SEQ	DESCRIPTION	PART NUMBER	QUANTITY				QUANTITY			
			575SI	575NI	575HI	575AI	565SI	565NI	565HI	565AI
10	PUMP HEAD MACHINED FASTPRIME TM	TNP00062	-	-	-	-	-	-	-	-
		TNP00072	1	1	1	1	-	-	-	-
		TNP00102	-	-	-	-	1	1	1	1
		TNP00061	-	-	-	-	-	-	-	-
		TNP00071	-	-	-	-	-	-	-	-
40	O-RING	TNP00101	-	-	-	-	-	-	-	-
		48349	-	-	-	-	-	-	-	-
90	O-RING	48591	5	5	5	5	5	5	5	
		39413	5	5	5	5	5	5	5	
100	O-RING	36103	-	-	-	-	-	-	-	
		48589	4	4	4	4	4	4	4	
140	O-RING	48590	1	1	1	1	1	1	1	
150	O-RING	48347	1	1	1	1	1	1	1	
190	LIQUIFRAM™ SIZE CODE	TNP01010	-	-	-	-	-	-	-	
190		TNP01020	1	1	1	1	-	-	-	
190		TNP01030	-	-	-	-	1	1	1	
230	INJECTION CHECK VALVE BODY	48618	-	-	-	-	-	-	-	
		48619	1	1	1	1	1	1	1	
250	CERAMIC WEIGHT	10322	1	1	1	1	1	1	1	
260	FOOT VALVE COUPLING	36204	1	1	1	1	1	1	1	
270	FOOT VALVE STRAINER	10123	1	1	1	1	1	1	1	
350	TUBING, SUCTION & DISCHARGE	25636-16	-	-	-	-	-	-	-	
		10342-16	1	1	1	1	1	1	1	
352	TUBING, FASTPRIME TM	10469-06	1	1	1	1	1	1	1	
601	FASTPRIME TM DISCHARGE CHECK VALVE	48673	-	-	-	-	-	-	-	
		48671	-	-	-	-	-	-	-	
		TNA00130	-	-	-	-	-	-	-	
		TNA00140	1	1	1	1	1	1	1	
602	SUCTION CHECK VALVE	48685	-	-	-	-	-	-	-	
		48683	-	-	-	-	-	-	-	
		TNA00200	-	-	-	-	-	-	-	
		TNA00210	1	1	1	1	1	1	1	
603	CARTRIDGE VALVE	48692	-	-	-	-	-	-	-	
		37859	-	-	-	-	-	-	-	
		37337	4	4	4	4	4	4	4	
		48546	-	-	-	-	-	-	-	
604	FASTPRIME TM CARTRIDGE VALVE	48698	-	-	-	-	-	-	-	
		48552	-	-	-	-	-	-	-	
		TNA00260	-	-	-	-	-	-	-	
605	FASTPRIME TM VALVE	TNA00250	1	1	1	1	1	1	1	
		48701	1	1	-	-	1	1	-	
606	LIQUID END HARDWARE	48699	-	-	-	-	-	-	-	
		TNA00311	-	-	-	-	-	-	-	
607	FOOT VALVE	TNA00313	1	1	1	1	1	1	1	
		48727	-	-	-	-	-	-	-	
		48719	-	-	-	-	-	-	-	
		49106	-	-	-	-	-	-	-	
		49108	1	1	1	1	1	1	1	
608	INJECTION VALVE	48729	1	1	1	1	1	1	1	
		48730	-	-	-	-	-	-	-	
613	TUBING CONNECTION KIT (INCH)	54125	1	1	1	1	1	1	1	
		77382-B	-	-	-	-	-	-	-	
615	SINGLE BALL CHECK VALVE FITTING	48788 (9X9, 8X2, 8X4)	-	-	-	-	-	-	-	
		48790(9X5)	2	2	2	2	2	2	2	
616	DOUBLE BALL CHECK VALVE FITTING	48792 (9X9, 8X2, 8X4)	-	-	-	-	-	-	-	
		48794 (9X5)	2	2	2	2	2	2	2	
617	INJECTION VALVE CARTRIDGE	48795	1	1	1	1	1	1	1	
		48796	-	-	-	-	-	-	-	
620	MFV ASSEMBLY KIT	57708	-	-	-	-	-	-	-	
		57709	1	-	1	-	1	-	1	
		57710	-	-	-	-	-	-	-	
		57711	-	-	-	-	-	-	-	
630	DEGAS VALVE SUB ASM, PVDF	TNA00281	-	-	1	1	-	-	1	
640	DEGAS FASTPRIME STEM ASM, PVDF	TNA00291	-	-	1	1	-	-	1	
650	DEGAS SOLENOID VALVE ASM	TNA00300	-	-	1	1	-	-	1	
660	O-RING	TNA00053	-	-	1	1	-	-	1	

# TD Series

# LE-5x5xl



FOR LIQUID ENDS: 59xxl, 58xxl, 57xxl, 56xxl,  
5x9xl, 5x5xl

#### D. PRIMING FOR FastPrime™ LIQUID ENDS

1. Connect the 3/8" outer diameter clear vinyl tubing provided with the pump to the FastPrime™ Valve barbed nozzle (Figure 3). Route tubing to the solution tank. This tubing must not be submerged in the solution.

When all precautionary steps have been taken, the pump is mounted, and the tubing is securely attached, you may now start priming the pump.

2. Plug in or switch the pump on.
3. While the pump is running, set at 100% speed and 100% stroke length.
4. Turn The FastPrime™ knob 1 to 2 turns counter-clockwise.
5. The suction tubing should begin to fill with solution from the tank.
6. A small amount of solution will begin to discharge out the return line of the FastPrime™ valve. Once this happens, turn the knob clockwise until hand tight and **SHUT THE PUMP OFF**.
7. The pump is now primed.

**Note:** The pumps are normally self priming if suction lift is less than 5 feet (1.5 meters), check valves are wet (there is usually water in the pump head when shipped from the factory), and the steps above are followed. If the pump does not self prime, you can choose one of 2 ways to help prime:

1. Remove the discharge valve and discharge cartridges and slowly pour water or solution into the pump head until it is filled. Replace cartridges and discharge valve and repeat steps above.
2. Temporarily improve suction conditions by pumping from a container closer to or above pump.

#### E. DEPRESSURIZING THE DISCHARGE LINE AND PUMP HEAD

**ALWAYS wear protective clothing, face shield, safety glasses and gloves when performing any maintenance or replacement on your pump.**

1. Be sure the Injection Check Valve is properly installed and is operating. If a shut off valve has been installed downstream of the Injection Valve, it should be closed.

##### 2. Line Depressurization:

To reduce the risk of chemical splash during disassembly or maintenance, all installations should be equipped with line depressurization capability. Installing a multifunction valve is one way to include this capability. Refer to the operating instructions of the valve or device.

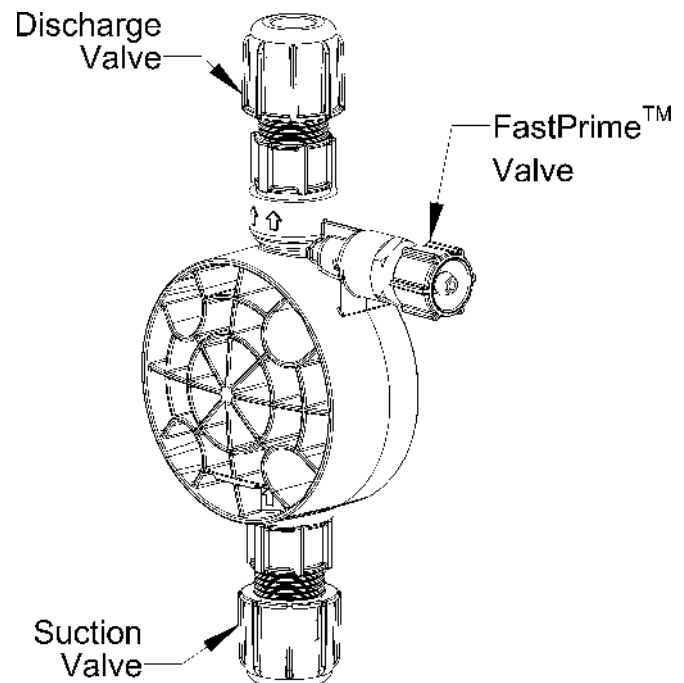
##### 3. Pump Head Depressurization:

**Be sure your relief tubing is connected to your FastPrime™ valve and runs back to your solution drum or tank.**

Turn the FastPrime™ knob one-and-a-half turns counter-clockwise. The Pump Head is now depressurized. Keep the valve open until solution drains into the solution drum or tank. Then turn the FastPrime™ knob clockwise to tighten the knob to a closed position.



**When tubing connections are loosened, chemical will drain from the line. Use appropriate safety precautions to avoid contact with chemical.**



**FIGURE 3**

FOR LIQUID ENDS: 59xxl, 58xxl, 57xxl, 56xxl,

5x9xl, 5x5xl

## F. PRIMING WITH MULTIFUNCTION VALVE

1. Connect pressure relief tubing to the pressure relief port (Figure 4). Route tubing to the solution tank. This tubing must not be submerged in the solution.

When all precautionary steps have been taken, the pump is mounted, and the tubing is securely attached, you may now start priming the pump.

2. Turn black knob about 1/8 turn CCW to stop point to open bypass port..
3. Set pump at 100% speed and 100% stroke length. Start pump. When fluid has been flowing through the bypass port tubing for 10-20 seconds, the pump is primed.
4. Stop pump and return black knob to normal position.

**Note:** The pumps are normally self priming if suction lift is less than 5 feet (1.5 meters), check valves are wet (there is usually water in the pump head when shipped from the factory), and the steps above are followed. If the pump does not self prime, you can choose one of 2 ways to help prime:

1. Remove the multifunction valve and cartridges and slowly pour water or solution into the pump head until it is filled. Replace cartridges and multifunction valve and repeat steps above.
2. Temporarily improve suction conditions by pumping from a container closer to or above pump.

## G. PRIMING WITH FastPrime™ VALVE

1. Connect the 3/8" outer diameter clear vinyl tubing provided with the pump to the FastPrime™ Valve barbed nozzle (Figure 4). Route tubing to the solution tank. This tubing must not be submerged in

the solution.

When all precautionary steps have been taken, the pump is mounted, and the tubing is securely attached, you may now start priming the pump.

2. Plug in or switch the pump on.
3. While the pump is running, set at 100% speed and 100% stroke length.
4. Turn The FastPrime™ knob 1 to 2 turns counter-clockwise.
5. The suction tubing should begin to fill with solution from the tank.
6. A small amount of solution will begin to discharge out the return line of the FastPrime™ valve. Once this happens, turn the knob clockwise until hand tight and **SHUT THE PUMP OFF.**
7. The pump is now primed.

## H. DEPRESSURIZING THE DISCHARGE LINE

**ALWAYS wear protective clothing, face shield, safety glasses and gloves when performing any maintenance or replacement on your pump.**

When preparing to maintain the pump or any component in the discharge line, the multifunction valve is used to depressurize the line. Be sure an injection check valve is properly installed and is operating and that all tubing connections on the multifunction valve are secure.

**Be sure your relief tubing is connected to your pressure relief port on the multifunction valve and runs back to your solution drum or tank.**

1. Turn off the pump.
2. If any valves have been installed downstream of the pump, close them.
3. If the supply tank for the pump is higher than the pump head, fluid will flow through unless a suction line valve is closed.
4. Turn the black knob on the multifunction valve about 1/8 turn CCW to its open position. This relieves pressure between the pump and the multifunction valve.
5. To release line pressure, while the black knob is in the open position, turn the yellow knob and hole open until fluid flow through the bypass port stops.



**When tubing connections are loosened, chemical will drain from the line. Use appropriate safety precautions to avoid contact with chemical.**

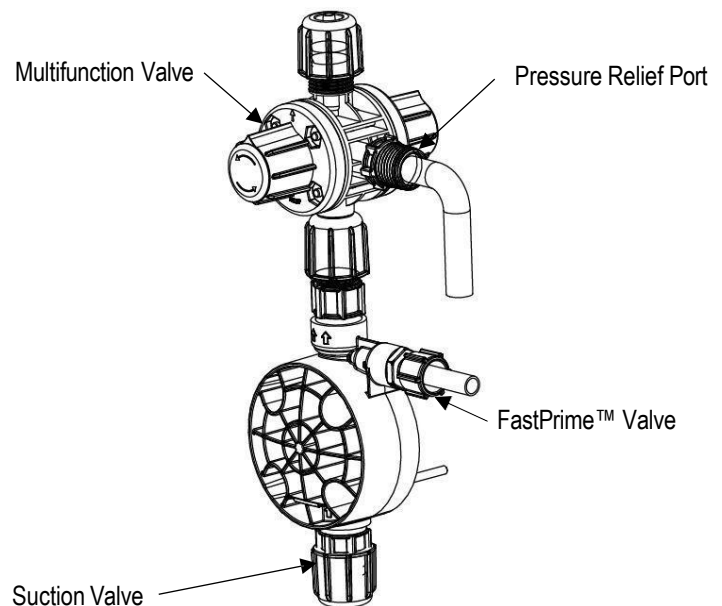


FIGURE 4

**REFER TO YOUR ELECTRONIC METERING PUMP INSTRUCTION MANUAL FOR ADDITIONAL INSTRUCTIONS AND PRECAUTIONS.** You may contact your local LMI Distributor for additional information or visit LMI on the web at [www.lmipumps.com](http://www.lmipumps.com)