

TD Series Chemical Metering Pump

Accurate, Efficient, Reliable

Introducing the TD Series from LMI Pumps, the most versatile chemical metering pump on the market. This new generation of pumps boasts the most advanced control features from manual speed adjustment, to full SCADA integration and remote control, and available MODBUS, PROFIBUS and Bluetooth connected units. All TD Series Liquid Ends are new from LMI with improved materials, double ball check valves, and newly designed over-molded diaphragms proven to operate at continuous duty for over 40 million strokes. All Liquid Ends are designed with proven FASTPRIME™ technology for quick and easy commissioning and priming of the units. Available in 3 models, Manual, Advanced, and COMMs, the TD Series pump fits seamlessly into your process control application. The Manual model offers simple speed control while maintaining the accuracy, precision, and durability of the enhanced drive system. The Advanced model offers numerous internal and external controls and a large TFT display to provide intuitive access to advanced features such as calibration assist, multiple digital IOs and speed input and output controls, batch and dose mode, slow mode, system and user totalizers, Bluetooth, and more. The COMMs model offers all the same functions as the Advanced model with the addition of industrial protocol communications.



Performance Specifications

	PSI	GPH	BAR	LPH
TDX2	250	2.5	17.2	9.5
TDX3	150	4	10.3	15.1
TDX4	100	10	6.9	37.9
TDX5	75	16	5.2	60.6

Output Range	.003 – 16.0 GPH (.01 – 60.6 LPH)
Pressure Range	25-250 PSI (1.7-17.2 BAR)
Max Stroke	187 SPM
Installation	Indoor/Outdoor
Supply Voltage	100-230V / 50-60 Hz
Steady State Accuracy	+/- 1.5%
Repeatable Accuracy	+/- 3%
Turndown	1,000:1

Features and Benefits

- Revolutionary FluxDrive™ technology with fractional turndown capability, reduced weight, increased efficiency, and universal 115-230V, 50/60 Hz power supply
- 4 available sizes with flows up to 16 GPH (60.6 LPH) and up to 250 PSI (17.2 BAR)
- Best-in-class electronic components and enhanced control for full SCADA integration and advanced system process control features
- Standard FastPrime™ liquid ends that allow fast and easy priming with integrated bleed valve
- Field upgradable firmware via USB-C drive interface for always current feature set and firmware upgrades
- Rugged construction with NEMA 4X / IP 66 housing for the harshest environments and outdoor use
- Compact footprint for efficient use of space in process applications or OEM configuration with removable mounting baseplate
- Standardized M12 cable connection for easy commissioning and setup of all inputs and outputs
- Agency certifications - NSF 61, ETL, CE, and UKCA
- 4.3" Color TFT display with Intuitive navigation, enabling easy configuration, full digital manual control of advanced pumps and visibility to running status, alarms, logs, and system configurations
- External Control Inputs - Automate your process with pulse batch modes, 4 analog 4-20mA inputs, remote start/stop, and multiple sensor inputs including tank level indication, auto degassing technology, pressure sensors, leak detection and more
- Calibration Assist - Simply draw from a column and adjust the estimated value on-screen to the measured
- System & User Totalizers - An odometer for your pump that logs pump strokes, estimated volume, and power cycles – confirm pump operation between visits
- AccuPrime™ degassing technology for automatic degassing of the discharge line for stay-prime functionality
- Leak detection sensor integrated into the liquid ends for reliable detection of leaks and shutoff alarms and output relays for full safety and system control

TDx2

OUTPUT CODE 2 _____ 0.0 - 2.5 GPH (0.0 - 9.5 LPH); 250 psi (17.2 bar)

Drive End	Note: Cordsets from the accessories table may be required for the customer to connect to desired input/output.								151 SPM Max.
Control	Description								
TD092	Manual Control								
TD102	Advanced Pulse Input, Digital Inputs, Output Relays, Remote Start Stop, Tank Level Full Analog								
TD112	COMMs MODBUS TCP, RTU, Full Advanced								
Power Code	Voltage	Frequency			Plug				
1	Universal	50-60 HZ			110 - 120V US Plug				
2	Universal	50-60 HZ			220 - 240V US Plug				
3	Universal	50-60 HZ			220 - 240V DIN Plug				
5	Universal	50-60 HZ			220 - 240V UK Plug				
6	Universal	50-60 HZ			220-240V Aus/NZ Plug				
7	Universal	50-60 HZ			220-240V Swiss Plug				
Liquid End	Head	Fittings	Balls	Valve	Connections	Suction/Discharge	Cartridge Valve or Seal Ring	RPM Kit	
FastPrime™ Machined									
599SI	Acrylic	PVDF	PTFE	MFV	PE 1/4" O.D.		Polyprel®	RPM-599	
599NI	Acrylic	PVDF	PTFE	-	PE 1/4" OD		Polyprel®	RPM-599	
599AI	Acrylic	PVDF	PTFE	-	PE 1/4" O.D.		Polyprel®	RPM-599	
599HI	Acrylic	PVDF	PTFE	MFV	PE 1/4" OD		Polyprel®	RPM-599	
597NP	316 SS	316 SS	316 SS	-	1/4" NPT		316 SS/PTFE	RPM-597	
595SI	PP	PP	Ceramic	MFV	PE 1/4" OD		PTFE	RPM-593	
595NI	PP	PP	Ceramic	-	PE 1/4" O.D.		PTFE	RPM-593	
595AI	PP	PP	Ceramic	-	PE 1/4" OD		PTFE	RPM-593	
595HI	PP	PP	Ceramic	MFV	PE 1/4" O.D.		PTFE	RPM-593	
596VI	PP	PP	316 SS	-	PE .5" Vinyl .938"		PTFE	RPM-596	
596PI*	PP	PP	316 SS	-	PE .5" Vinyl .938"		PTFE	RPM-596	
FastPrime™ Molded									
592SI	PVDF	PVDF	Ceramic	MFV	PE 1/4" O.D.		Polyprel®	RPM-592	
592NI	PVDF	PVDF	Ceramic	-	PE 1/4" OD		Polyprel®	RPM-592	
592AI	PVDF	PVDF	Ceramic	-	PE 1/4" O.D.		Polyprel®	RPM-592	
592HI	PVDF	PVDF	Ceramic	MFV	PE 1/4" OD		Polyprel®	RPM-592	
594SI	PVDF	PVDF	Ceramic	MFV	PE 1/4" O.D.		PTFE/Polyprel®	RPM-594	
594NI	PVDF	PVDF	Ceramic	-	PE 1/4" OD		PTFE/Polyprel®	RPM-594	
594AI	PVDF	PVDF	Ceramic	-	PE 1/4" O.D.		PTFE/Polyprel®	RPM-594	
594HI	PVDF	PVDF	Ceramic	MFV	PE 1/4" OD		PTFE/Polyprel®	RPM-594	
593SI	PVDF	PVDF	Ceramic	MFV	PE 1/4" O.D.		PTFE	RPM-593	
593NI	PVDF	PVDF	Ceramic	-	PE 1/4" OD		PTFE	RPM-593	
593AI	PVDF	PVDF	Ceramic	-	PE 1/4" O.D.		PTFE	RPM-593	
593HI	PVDF	PVDF	Ceramic	MFV	PE 1/4" OD		PTFE	RPM-593	
TD092	1	- 599SI							

RPM Kit	Contents	
FastPrime™		
RPM-599	*O-Rings	*Hardware kit
RPM-593	*Shaft Seal	*Liquifram
RPM-592	*Check Valve Cartridges	*Injection Valve Cartridge
RPM-594		
RPM-596	*Shaft Seal	*Hardware kit
	*Seal Ring Seats	*Liquifram
		*Clamp Rings
RPM-597	*Shaft Seal	*Hardware kit
	*Check Valve	*Liquifram

Accessories	
Part Number	Description
TNA40100	Degas Solenoid
TNA40200	Flow Verification
TNA40300	Leak Detection
TNP20200	Accessory Cable

*PI 316 SS LE includes bleeder port

TDx3

OUTPUT CODE 3

0.0 - 4.0 GPH (0.0 - 15.1 LPH); 150 psi (10.3 bar)

Drive End									
Control	Description								
TD093	Manual Control								
TD103	Advanced Pulse Input, Digital Inputs, Output Relays, Remote Start Stop, Tank Level Full Analog								
TD113	COMMs MODBUS TCP, RTU, Full Advanced								
	Power Code	Voltage		Frequency		Plug			
	1	Universal		50-60 HZ		110 - 120V US Plug			
	2	Universal		50-60 HZ		220 - 240V US Plug			
	3	Universal		50-60 HZ		220 - 240V DIN Plug			
	5	Universal		50-60 HZ		220 - 240V UK Plug			
	6	Universal		50-60 HZ		220-240V Aus/NZ Plug			
	7	Universal		50-60 HZ		220-240V Swiss Plug			
	Liquid End	Head	Fittings	Balls	Valve	Connections Suction/Discharge	Cartridge Valve or Seal Ring		RPM Kit
FastPrime™ Machined									
	589SI	Acrylic	PVDF	PTFE	MFV	PE 3/8" O.D.	Polyprel®		RPM-589
	589NI	Acrylic	PVDF	PTFE	-PE 3/8" OD	Polyprel®	RPM-589		
	589AI	Acrylic	PVDF	PTFE	-PE 3/8" O.D.	Polyprel®	RPM-589		
	589HI	Acrylic	PVDF	PTFE	MFV	PE 3/8" OD	Polyprel®		RPM-589
	587NP	316 SS	316 SS	316 SS	-1/4" NPT	316 SS/PTFE	RPM-587		
	585SI	PP	PP	Ceramic	MFV	PE 3/8" OD	PTFE		RPM-583
	585NI	PP	PP	Ceramic	PE 3/8" O.D.	PTFE	RPM-583		
	585AI	PP	PP	Ceramic	PE 3/8" OD	PTFE	RPM-583		
	585HI	PP	PP	Ceramic	MFV	PE 3/8" O.D.	PTFE		RPM-583
	586VI	PP	PP	316 SS	PE .5" Vinyl .938"	PTFE	RPM-586		
	586PI	PP	PP	316 SS	PE .5" Vinyl .938"	PTFE	RPM-586		
FastPrime™ Molded									
	582SI	PVDF	PVDF	Ceramic	MFV	PE 1/4" O.D.	Polyprel®		RPM-582
	582NI	PVDF	PVDF	Ceramic	-	PE 1/4" OD	Polyprel®		RPM-582
	582AI	PVDF	PVDF	Ceramic	-	PE 1/4" O.D.	Polyprel®		RPM-582
	582HI	PVDF	PVDF	Ceramic	MFV	PE 1/4" OD	Polyprel®		RPM-582
	584SI	PVDF	PVDF	Ceramic	MFV	PE 1/4" O.D.	PTFE/Polyprel®		RPM-584
	584NI	PVDF	PVDF	Ceramic	-	PE 1/4" OD	PTFE/Polyprel®		RPM-584
	584AI	PVDF	PVDF	Ceramic	-	PE 1/4" O.D.	PTFE/Polyprel®		RPM-584
	584HI	PVDF	PVDF	Ceramic	MFV	PE 1/4" OD	PTFE/Polyprel®		RPM-584
	583SI	PVDF	PVDF	Ceramic	MFV	PE 1/4" O.D.	PTFE		RPM-583
	583NI	PVDF	PVDF	Ceramic	-	PE 1/4" OD	PTFE		RPM-583
	583AI	PVDF	PVDF	Ceramic	-	PE 1/4" O.D.	PTFE		RPM-583
	583HI	PVDF	PVDF	Ceramic	MFV	PE 1/4" OD	PTFE		RPM-583
TD092	1	- 599SI							

RPM Kit	Contents	
FastPrime™		
RPM-589	*O-Rings	*Hardware kit
RPM-582	*Shaft Seal	*Liquifram
RPM-583	*Check Valve Cartridges	*Injection Valve Cartridge
RPM-584		
RPM-586	*Shaft Seal	*Hardware kit
	*Seal Ring Seats	*Liquifram
		*Clamp Rings
RPM-587	*Shaft Seal	*Hardware kit
	*Check Valve	*Liquifram

Accessories	
Part Number	Description
TNA40100	Degas Solenoid
TNA40200	Flow Verification
TNA40300	Leak Detection
TNP20200	Accessory Cable

*PI 316 SS LE includes bleeder port

TDx4

OUTPUT CODE 4 _____ 0.0 - 10.0 GPH (0.0 - 37.9 LPH); 100 psi (6.9 bar)

Drive End	Note: Cordsets from the accessories table may be required for the customer to connect to desired input/output.								151 SPM Max.
Control	Description								
TD094	Manual Control								
TD104	Advanced Pulse Input, Digital Inputs, Output Relays, Remote Start Stop, Tank Level Full Analog								
TD114	COMMs MODBUS TCP, RTU, Full Advanced								
	Power Code	Voltage			Frequency		Plug		
	1	Universal			50-60 HZ		110 - 120V US Plug		
	2	Universal			50-60 HZ		220 - 240V US Plug		
	3	Universal			50-60 HZ		220 - 240V DIN Plug		
	5	Universal			50-60 HZ		220 - 240V UK Plug		
	6	Universal			50-60 HZ		220-240V Aus/NZ Plug		
	7	Universal			50-60 HZ		220-240V Swiss Plug		
	Liquid End	Head	Fittings	Balls	Valve	Connections Suction/Discharge	Cartridge Valve or Seal Ring		RPM Kit
FastPrime™ Machined									
	579SI	Acrylic	PVDF	PTFE	MFV	PE 3/8" O.D.	Polyprel®		RPM-579
	579NI	Acrylic	PVDF	PTFE	-	PE 3/8" OD	Polyprel®		RPM-579
	579AI	Acrylic	PVDF	PTFE	-	PE 3/8" O.D.	Polyprel®		RPM-579
	579HI	Acrylic	PVDF	PTFE	MFV	PE 3/8" OD	Polyprel®		RPM-579
	577NP	316 SS	316 SS	316 SS	-	1/2" NPT	316 SS/PTFE/Polyprel®		RPM-577
	57VNP	316 SS	316 SS	316 SS	-	1/2" NPT	316 SS/PTFE/Viton		RPM-57V
	575SI	PP	PP	Ceramic	MFV	PE 3/8" OD	PTFE		RPM-573
	575NI	PP	PP	Ceramic	-	PE 3/8" O.D.	PTFE		RPM-573
	575AI	PP	PP	Ceramic	-	PE 3/8" OD	PTFE		RPM-573
	575HI	PP	PP	Ceramic	MFV	PE 3/8" O.D.	PTFE		RPM-573
	576VI	PP	PP	316 SS	-	PE .5" Vinyl .938"	PTFE		RPM-576
	576PI*	PP	PP	316 SS	-	PE .5" Vinyl .938"	PTFE		RPM-576
FastPrime™ Molded									
	572SI	PVDF	PVDF	Ceramic	MFV	PE 3/8" OD	Polyprel®		RPM-572
	572NI	PVDF	PVDF	Ceramic	-	PE 3/8" O.D.	Polyprel®		RPM-572
	572AI	PVDF	PVDF	Ceramic	-	PE 3/8" OD	Polyprel®		RPM-572
	572HI	PVDF	PVDF	Ceramic	MFV	PE 3/8" O.D.	Polyprel®		RPM-572
	574SI	PVDF	PVDF	Ceramic	MFV	PE 3/8" OD	PTFE/Polyprel®		RPM-574
	574NI	PVDF	PVDF	Ceramic	-	PE 3/8" O.D.	PTFE/Polyprel®		RPM-574
	574AI	PVDF	PVDF	Ceramic	-	PE 3/8" OD	PTFE/Polyprel®		RPM-574
	574HI	PVDF	PVDF	Ceramic	MFV	PE 3/8" O.D.	PTFE/Polyprel®		RPM-574
	573SI	PVDF	PVDF	Ceramic	MFV	PE 3/8" OD	PTFE		RPM-573
	573NI	PVDF	PVDF	Ceramic	-	PE 3/8" O.D.	PTFE		RPM-573
	573AI	PVDF	PVDF	Ceramic	-	PE 3/8" OD	PTFE		RPM-573
	573HI	PVDF	PVDF	Ceramic	MFV	PE 3/8" O.D.	PTFE		RPM-573
TD104	1	- 579SI							

RPM Kit	Contents	
FastPrime™		
RPM-579	*O-Rings	*Hardware kit
RPM-572	*Shaft Seal	*Liquifram
RPM-573	*Check Valve Cartridges	*Injection Valve Cartridge
RPM-574		
RPM-57V		
RPM-576	*Shaft Seal	*Hardware kit
	*Seal Ring Seats	*Liquifram
		*Clamp Rings
RPM-577	*Shaft Seal	*Hardware kit
	*Check Valve	*Liquifram

Accessories	
Part Number	Description
TNA40100	Degas Solenoid
TNA40200	Flow Verification
TNA40300	Leak Detection
TNP20200	Accessory Cable

*PI 316 SS LE includes bleeder port

TDx5
OUTPUT CODE 5

0.0 - 16.0 GPH (0.0 - 60.6 LPH); 75 psi (5.2 bar)

Drive End								
Control	Description							
TD095	Manual Control							
TD105	Advanced Pulse Input, Digital Inputs, Output Relays, Remote Start Stop, Tank Level Full Analog							
TD115	COMMs MODBUS TCP, RTU, Full Advanced							
Power Code	Voltage	Frequency			Plug			
1	Universal	50-60 HZ			110 - 120V US Plug			
2	Universal	50-60 HZ			220 - 240V US Plug			
3	Universal	50-60 HZ			220 - 240V DIN Plug			
5	Universal	50-60 HZ			220 - 240V UK Plug			
6	Universal	50-60 HZ			220-240V Aus/NZ Plug			
7	Universal	50-60 HZ			220-240V Swiss Plug			
Liquid End	Head	Fittings	Balls	Valve	Connections Suction/Discharge	Cartridge Valve or Seal Ring	RPM Kit	
FastPrime™ Machined								
569SI	Acrylic	PVDF	PTFE	MFV	PE 3/8" O.D.	Polyprel®	RPM-569	
569NI	Acrylic	PVDF	PTFE	-	PE 3/8" OD	Polyprel®	RPM-569	
569AI	Acrylic	PVDF	PTFE	-	PE 3/8" O.D.	Polyprel®	RPM-569	
569HI	Acrylic	PVDF	PTFE	MFV	PE 3/8" OD	Polyprel®	RPM-569	
567NP	316 SS	316 SS	316 SS	-	1/2" NPT	316 SS/PTFE/Polyprel®	RPM-567	
56VNP	316 SS	316 SS	316 SS	-	1/2" NPT	316 SS/PTFE/Viton	RPM-56V	
565SI	PP	PP	Ceramic	MFV	PE 3/8" OD	PTFE	RPM-563	
565NI	PP	PP	Ceramic	-	PE 3/8" O.D.	PTFE	RPM-563	
565AI	PP	PP	Ceramic	-	PE 3/8" OD	PTFE	RPM-563	
565HI	PP	PP	Ceramic	MFV	PE 3/8" O.D.	PTFE	RPM-563	
566VI	PP	PP	316 SS	-	PE .5" Vinyl .938"	PTFE	RPM-566	
566PI*	PP	PP	316 SS	-	PE .5" Vinyl .938"	PTFE	RPM-566	
FastPrime™ Molded								
562SI	PVDF	PVDF	Ceramic	MFV	PE 3/8" OD	Polyprel®	RPM-562	
562NI	PVDF	PVDF	Ceramic	-	PE 3/8" O.D.	Polyprel®	RPM-562	
562AI	PVDF	PVDF	Ceramic	-	PE 3/8" OD	Polyprel®	RPM-562	
562HI	PVDF	PVDF	Ceramic	MFV	PE 3/8" O.D.	Polyprel®	RPM-562	
564SI	PVDF	PVDF	Ceramic	MFV	PE 3/8" OD	PTFE/Polyprel®	RPM-564	
564NI	PVDF	PVDF	Ceramic	-	PE 3/8" O.D.	PTFE/Polyprel®	RPM-564	
564AI	PVDF	PVDF	Ceramic	-	PE 3/8" OD	PTFE/Polyprel®	RPM-564	
564HI	PVDF	PVDF	Ceramic	MFV	PE 3/8" O.D.	PTFE/Polyprel®	RPM-564	
563SI	PVDF	PVDF	Ceramic	MFV	PE 3/8" OD	PTFE	RPM-563	
563NI	PVDF	PVDF	Ceramic	-	PE 3/8" O.D.	PTFE	RPM-563	
563AI	PVDF	PVDF	Ceramic	-	PE 3/8" OD	PTFE	RPM-563	
563HI	PVDF	PVDF	Ceramic	MFV	PE 3/8" O.D.	PTFE	RPM-563	
TD105	1	569SI						

RPM Kit	Contents	
FastPrime™		
RPM-569	*O-Rings	*Hardware kit
RPM-562	*Shaft Seal	*Liquifram
RPM-563	*Check Valve Cartridges	*Injection Valve Cartridge
RPM-564		
RPM-56V		
RPM-566	*Shaft Seal	*Hardware kit
	*Seal Ring Seats	*Liquifram
		*Clamp Rings
RPM-567	*Shaft Seal	*Hardware kit
	*Check Valve	*Liquifram

Accessories	
Part Number	Description
TNA40100	Degas Solenoid
TNA40200	Flow Verification
TNA40300	Leak Detection
TNP20200	Accessory Cable

*PI 316 SS LE includes bleeder port

Ingersoll Rand Inc. (NYSE:IR), driven by an entrepreneurial spirit and ownership mindset, is dedicated to helping make life better for our employees, customers and communities. Customers lean on us for our technology-driven excellence in mission-critical flow creation and industrial solutions across 40+ respected brands where our products and services excel in the most complex and harsh conditions. Our employees develop customers for life through their daily commitment to expertise, productivity and efficiency. For more information, visit www.IRCO.com



Contact your local representative to find out more about LMI TD Series
Chemical Injection Pumps

www.lmipumps.com



Electronic control by model

Control Version

	Manual model	Enhanced model	Communications model
User Interface			
Four Color Backlit graphical display	●	●	●
Flow rate or volume display (GPH, L/hr)	●	●	●
Capacity setting display	●	●	●
Start/Stop button	●	●	●
Mode/Select button	●	●	●
Full capacity (100%) button	●	●	●
Prime button	●	●	●
Active operation mode indication on display	●	●	●
Active alarm indication on display	●	●	●
Calibration status indication on display	●	●	●
Operation Modes			
Manual (Internal)	●	●	●
Analog [0/4-20 mA] (External)		●	●
Pulse [volume/pulse] (External)		●	●
Batch (External)		●	●
Cycle Timer (Internal)		●	●
Timed event (Internal)		●	●
Control Input			
Programmable digital contacts	1	4	4
User 1		●	●
User 2		●	●
User 3		●	●
Single level float switch	●	●	●
Dual low level float switch		●	●
Pulse control		●	●
Remote start/stop	●	●	●
Remote internal/external mode selection		●	●
Programmable analog inputs	0	2	2
Pacing		●	●
Tank level		●	●
Control Protocol			
Modbus RTU*			●
Profibus DP*			●

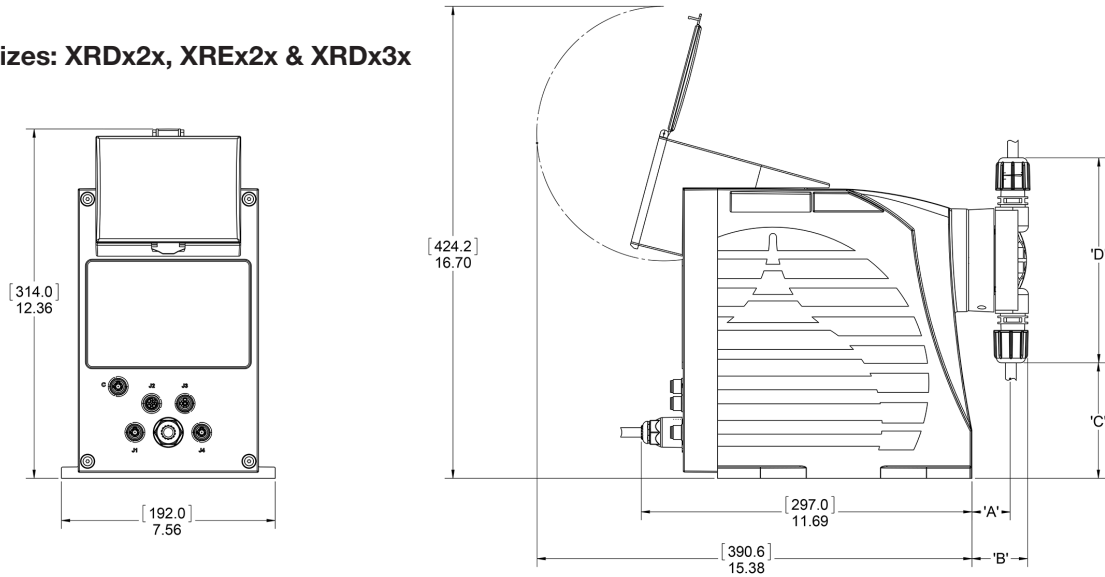
Control Version

	Manual model	Enhanced model	Communications model
Control Output			
Programmable digital contacts	0	2	2
Pump running		●	●
Pump standby/stopped [not pumping but ready]		●	●
Alarm status		●	●
User alarm status		●	●
Internal/External mode indication		●	●
Pump stopped		●	●
Stroke pulse		●	●
Timed event running		●	●
Programmable analog output	0	1	1
Flow rate [4-20 mA correlates to 0 - max capacity]		●	●
Mirror analog input 1		●	●
Mirror analog input 2		●	●
Power supply for remote device [24V] (eg. Flow sensor)	0	1	1
Operation functions			
Capacity control by motor speed variation	●	●	●
Variable stroke profile (variable discharge speed/constant suction speed)	●	●	●
Slow suction mode for viscous or degassing media	●	●	●
Calibration function (single point)	●	●	●
Prime feature (max capacity) button, timer	●	●	●
Totalizer (strokes, volume, hours motor operation, number of power cycles)	●	●	●
Keypad lock (software driven with password)	●	●	●
Clock feature (date and 12 hour time)	●	●	●
Diaphragm replacement mode (sets stroke to extended position)	●	●	●
Display firmware revision	●	●	●
Load factory defaults	●	●	●
Battery to maintain date and time settings when main power is removed	●	●	●
EEPROM nonvolatile memory (configurations saved/powers up in last used mode)	●	●	●
Internal/External input control mode configuration	●	●	●
Alarm output mask configuration (configure which events trigger alarm output relay)	●	●	●
Analog input response curve customization		●	●
Input pulse width setting		●	●
Start/Stop via remote signal	●	●	●
Pump switch off on tank empty	●	●	●
Modbus RTU / Profibus DP protocol			●
StayPrime Degassing Technology	●	●	●
Alarm Log	●	●	●

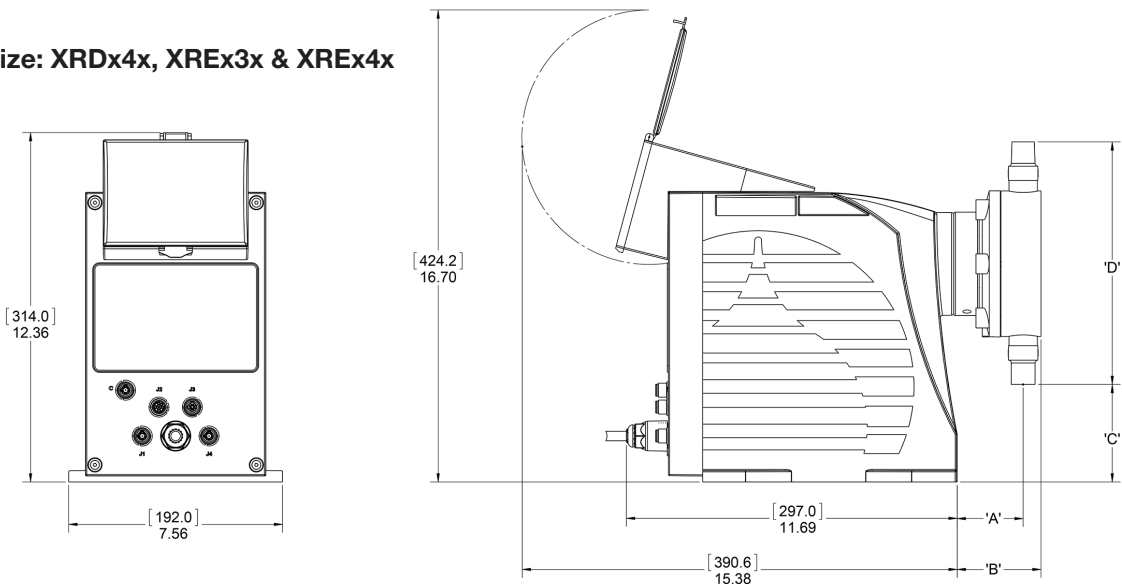
* Must order pump configured for your control protocol (See section table).

Literature #IR-?????.01 7/2024

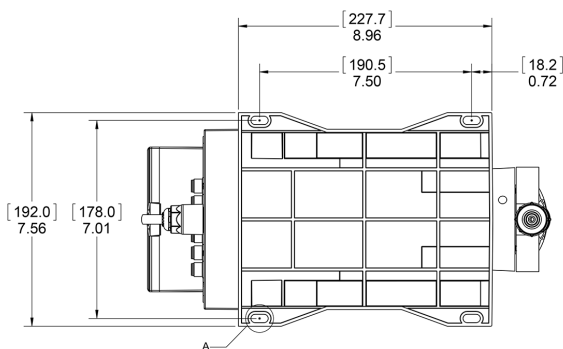
Drive Sizes: XRDx2x, XREx2x & XRDx3x



Drive Size: XRDx4x, XREx3x & XREx4x



Mounting Information (All drive sizes)



DRIVE	LIQUID END	A		B		C		D	
		INCH	[mm]	INCH	[mm]	INCH	[mm]	INCH	[mm]
XRDx2x XRDx3x XREx2x	*TUBE CONNECTIONS: CODE A44, A74"	1.44	36.7	2.03	51.7	4.09	103.9	7.25	184.2
	*DN PIPE CONNECTIONS: CODE A44, A74"	1.44	36.7	2.00	50.7	2.45	62.2	10.54	267.7
	*STAINLESS HEAD AND SLURRY HEAD: CODE A14, S14"	1.38	35.0	2.01	51.0	3.70	94.0	8.03	204.0
	*HIGH VISCOSITY HEAD: CODE V44"	1.61	40.8	2.30	58.3	4.32	109.8	7.63	193.7
XRDx4x XREx3x XREx4x	*NPT CONNECTIONS: CODE A46, A76"	2.33	59.3	2.96	75.3	3.45	87.6	8.58	218.0
	*TUBE CONNECTIONS: CODE A46, A76"	2.33	59.3	2.96	75.3	2.82	71.6	9.84	250.0
	*DN PIPE CONNECTIONS: CODE A46, A76"	2.33	59.3	3.13	79.5	2.05	52.1	11.38	289.0
	*STAINLESS HEAD AND SLURRY HEAD: CODE A16, S16"	2.42	61.4	3.28	83.4	2.98	75.6	9.49	241.0
	*HIGH VISCOSITY HEAD (NPT DISCHARGE): CODE V46"	2.33	59.3	2.95	74.9	3.73	94.8	8.30	210.8
*HIGH VISCOSITY HEAD (TUBE DISCHARGE): CODE V46"	2.33	59.3	2.95	74.9	3.73	94.8	8.93	226.8	

Note: Tube connections A46 and A76 aren't available on XRE, neither is the V46 high viscosity tube option.